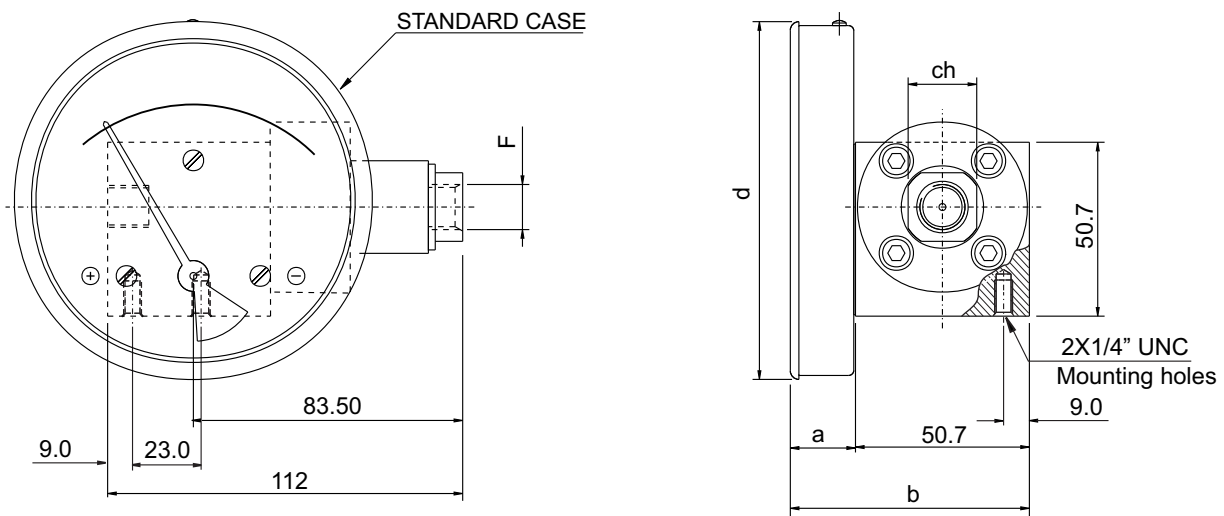
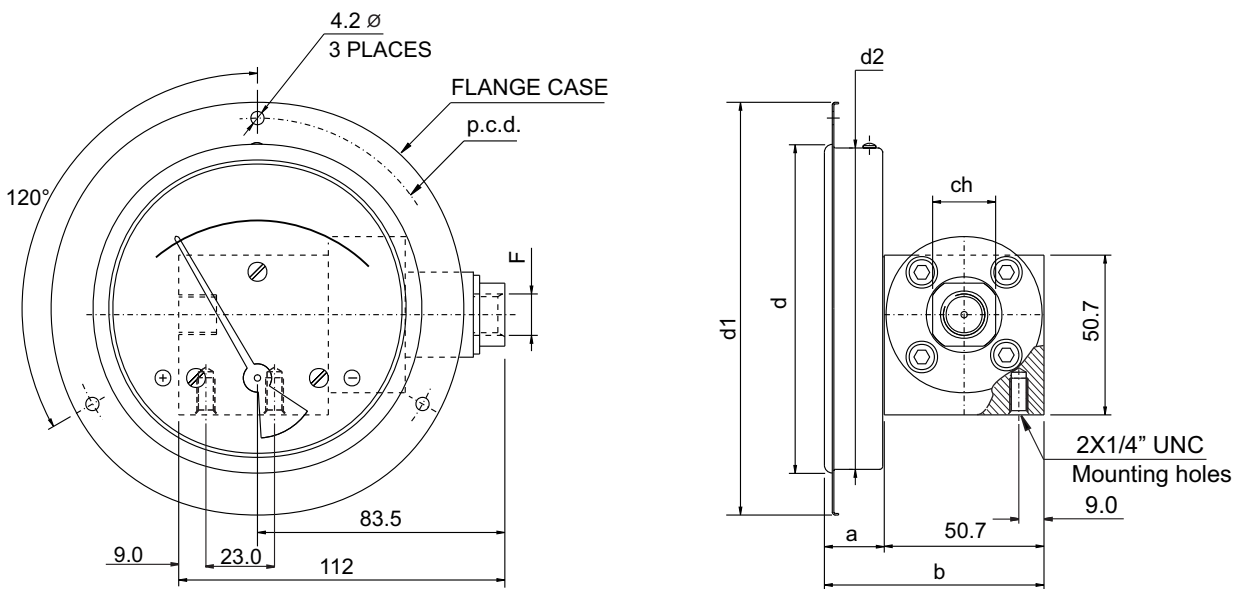


STANDARD DIMENSIONS, IN-LINE PORTING (MODEL 200 DGR)



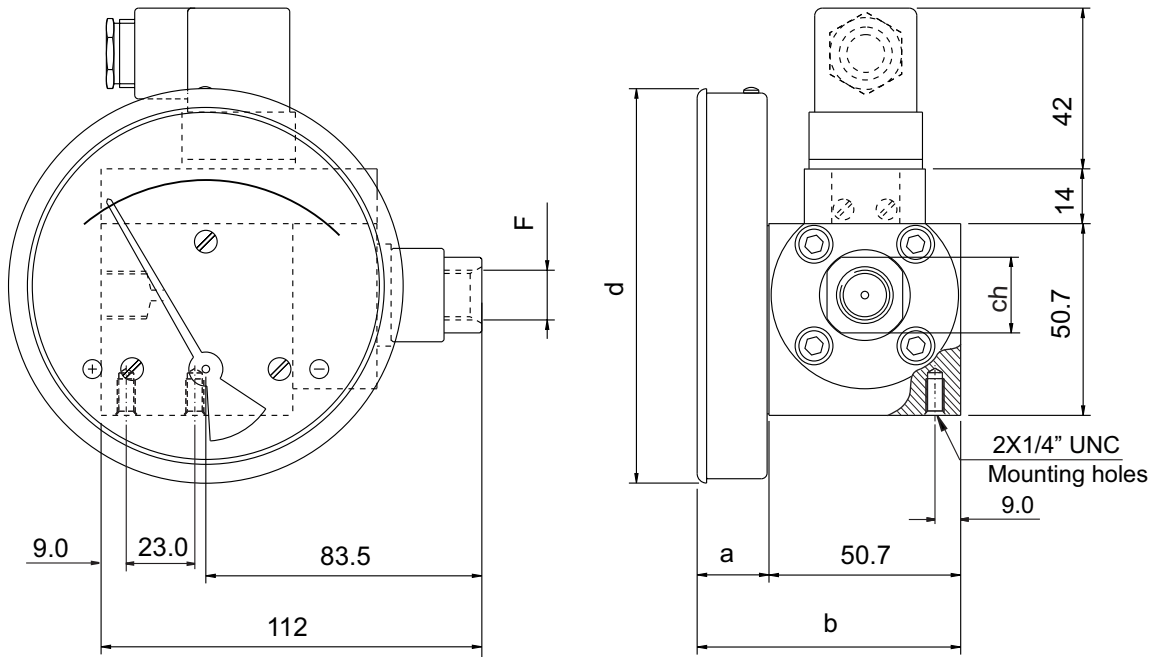
DIAL Ø	F	a	b	d	ch
63 (2.5")	1/4"BSP - 1/4"NPT	19	69.7	66	20
80 (3.5")	1/4"BSP - 1/4"NPT	19	69.7	83	20
100 (4")	1/4"BSP - 1/4"NPT	19	69.7	104.3	20
115 (4.5")	1/4"BSP - 1/4"NPT	19	69.7	119.7	20
150 (6")	1/4"BSP - 1/4"NPT	19	69.7	154.3	20



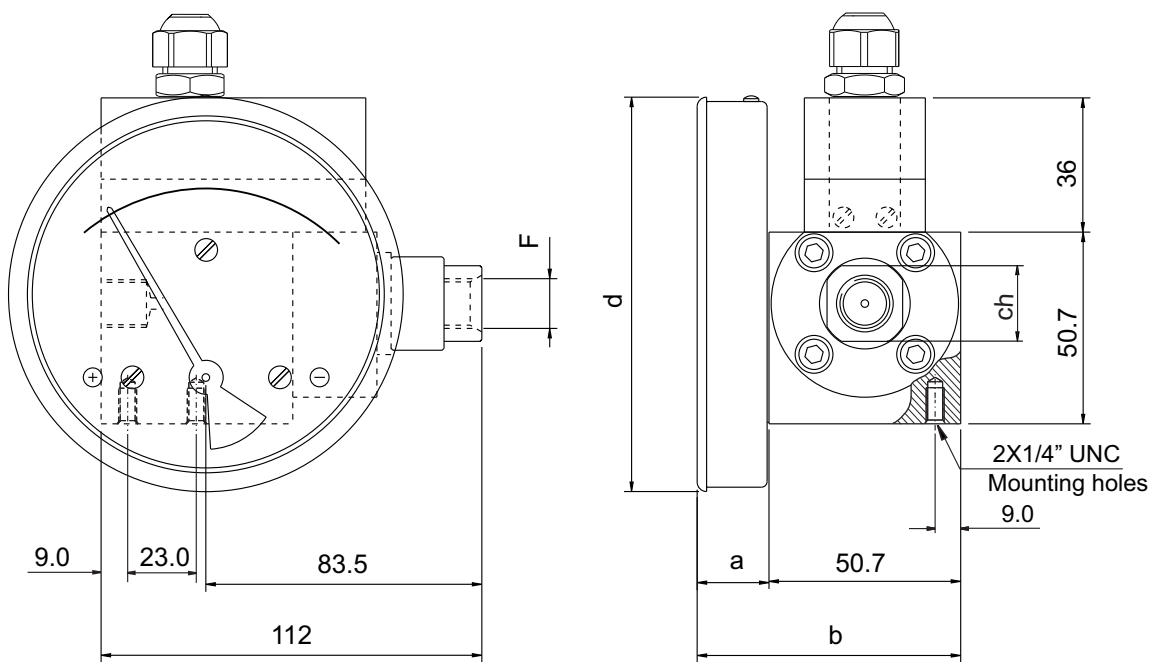
DIAL Ø	F	a	b	d1	d2	ch	p.c.d.	d *
63 (2.5")	1/4"BSP - 1/4"NPT	19	69.7	93	65	20	83	66
80 (3.5")	1/4"BSP - 1/4"NPT	19	69.7	109	82	20	99	83
100 (4")	1/4"BSP - 1/4"NPT	19	69.7	131	102	20	121	104.3
115 (4.5")	1/4"BSP - 1/4"NPT	19	69.7	146	117	20	136	119.7
150 (6")	1/4"BSP - 1/4"NPT	19	69.7	181	152.5	20	171	154.3

* PANEL CUT OUT = d + 1 mm.

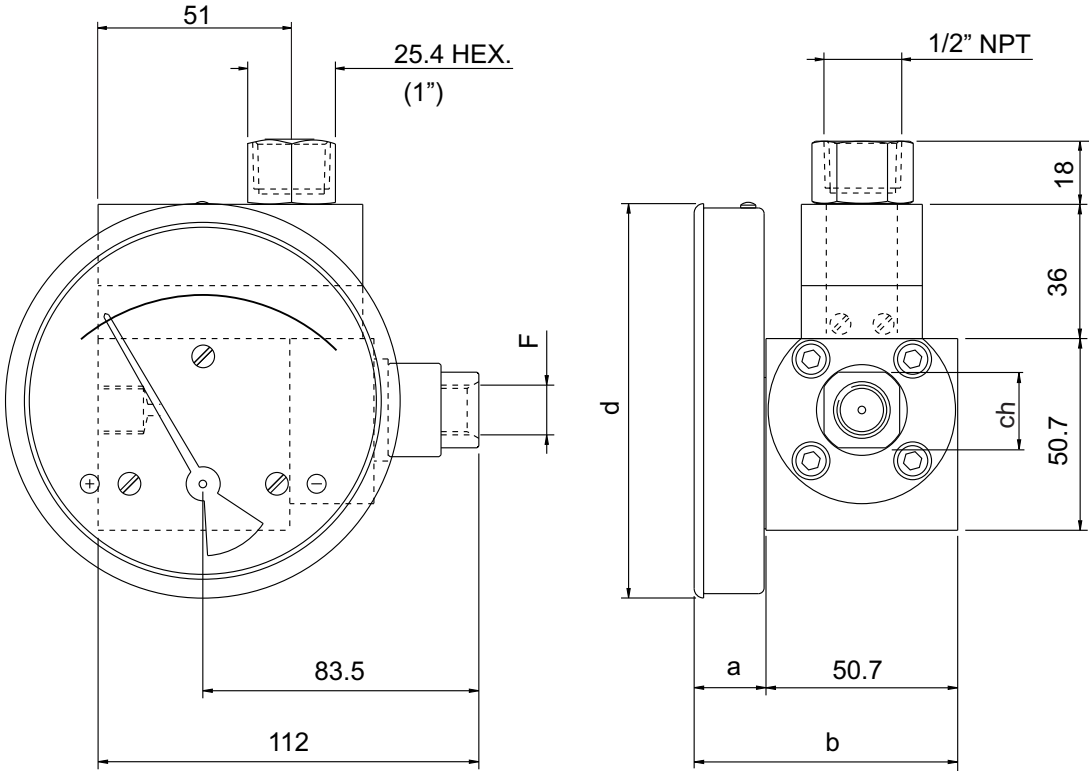
**GAUGE + SWITCH WITH REED CONTACTS WITH DIN PLUG AND TERMINAL STRIP
(MODEL 200 DGR)**



DIAL Ø	F	a	b	d	ch
63 (2.5")	1/4"BSP - 1/4"NPT	19	69.7	66	20
80 (3.5")	1/4"BSP - 1/4"NPT	19	69.7	83	20
100 (4")	1/4"BSP - 1/4"NPT	19	69.7	104.3	20
115 (4.5")	1/4"BSP - 1/4"NPT	19	69.7	119.7	20
150 (6")	1/4"BSP - 1/4"NPT	19	69.7	154.3	20



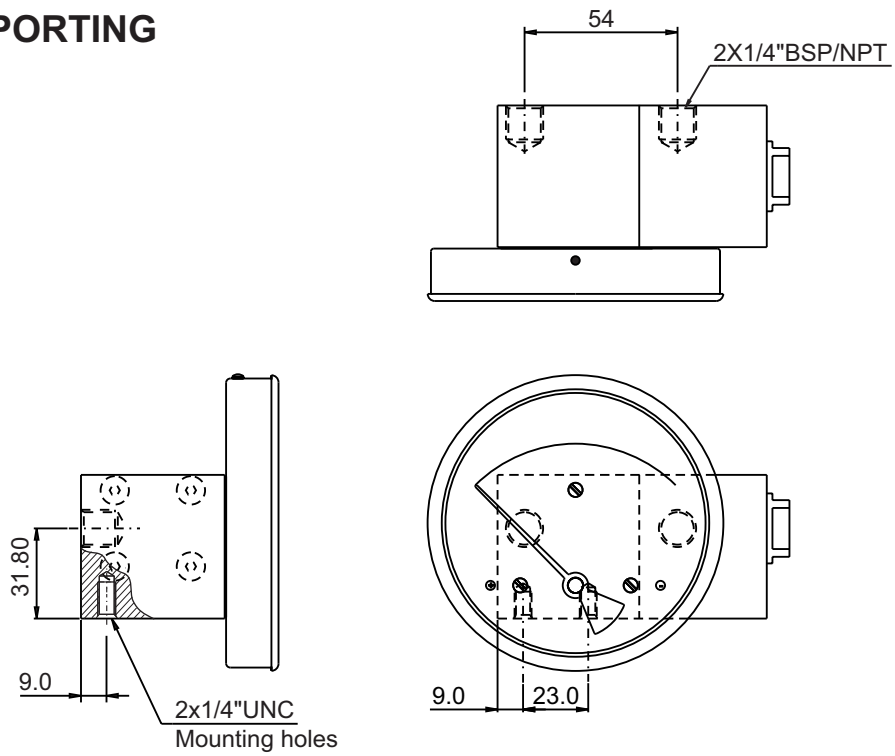
GAUGE + SWITCH WITH REED CONTACTS WITH TERMINAL STRIP & 1/2" CONDUIT CONNECTION (MODEL 200 DGR)



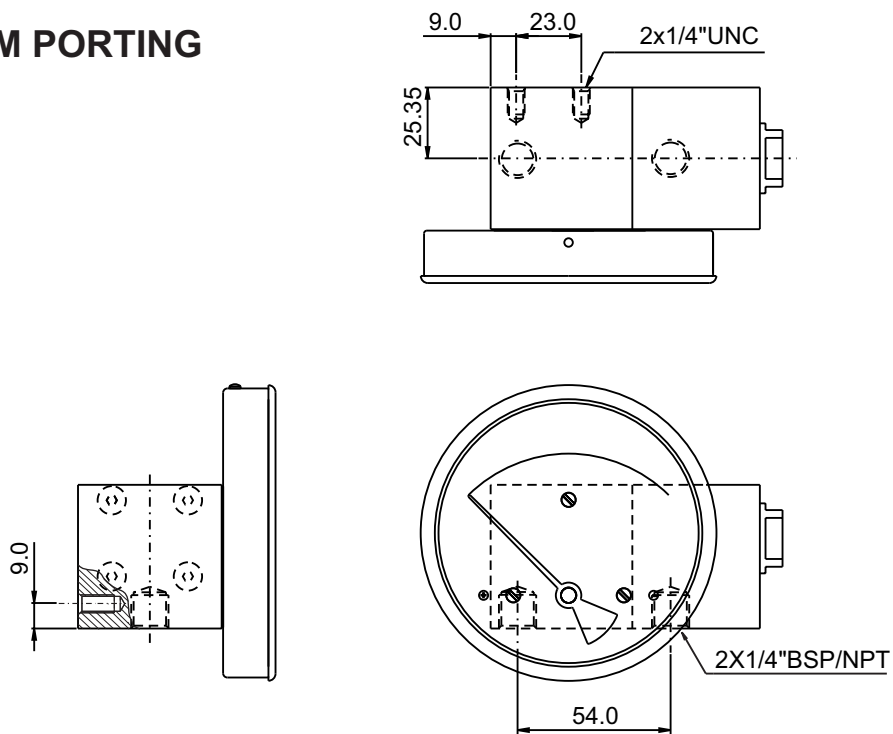
DIAL Ø	F	a	b	d	ch
63 (2.5")	1/4"BSP - 1/4"NPT	19	69.7	66	20
80 (3.5")	1/4"BSP - 1/4"NPT	19	69.7	83	20
100 (4")	1/4"BSP - 1/4"NPT	19	69.7	104.3	20
115 (4.5")	1/4"BSP - 1/4"NPT	19	69.7	119.7	20
150 (6")	1/4"BSP - 1/4"NPT	19	69.7	154.3	20

PORTING DETAILS, ROLLING DIAPHRAGM INSTRUMENTS (200 DGR)

BACK PORTING



BOTTOM PORTING



NOTE : 2x1/4" UNC MOUNTING HOLES PROVIDED ON REQUEST.