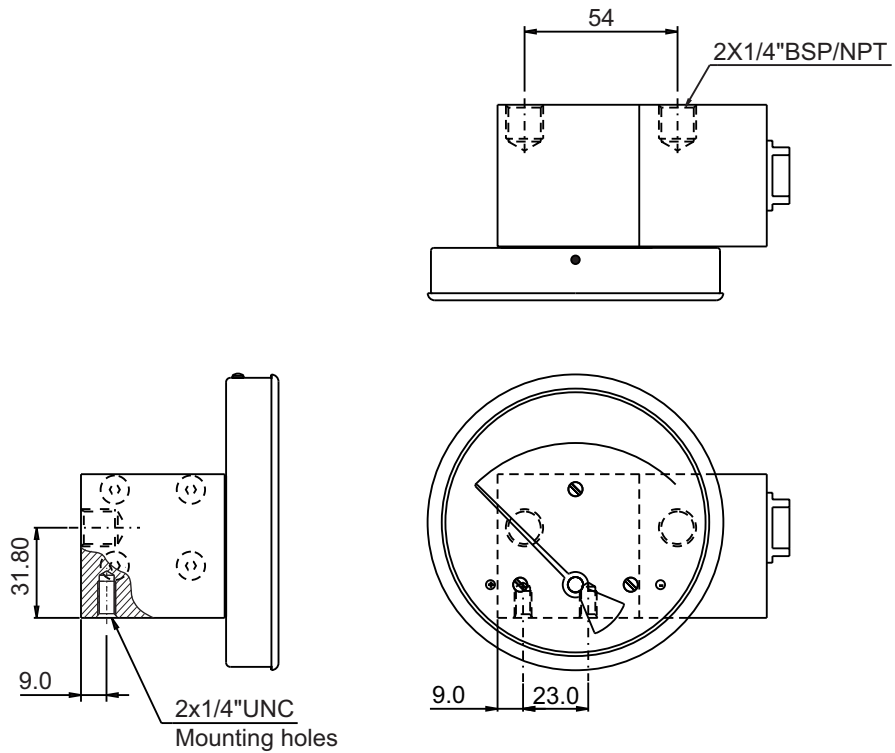


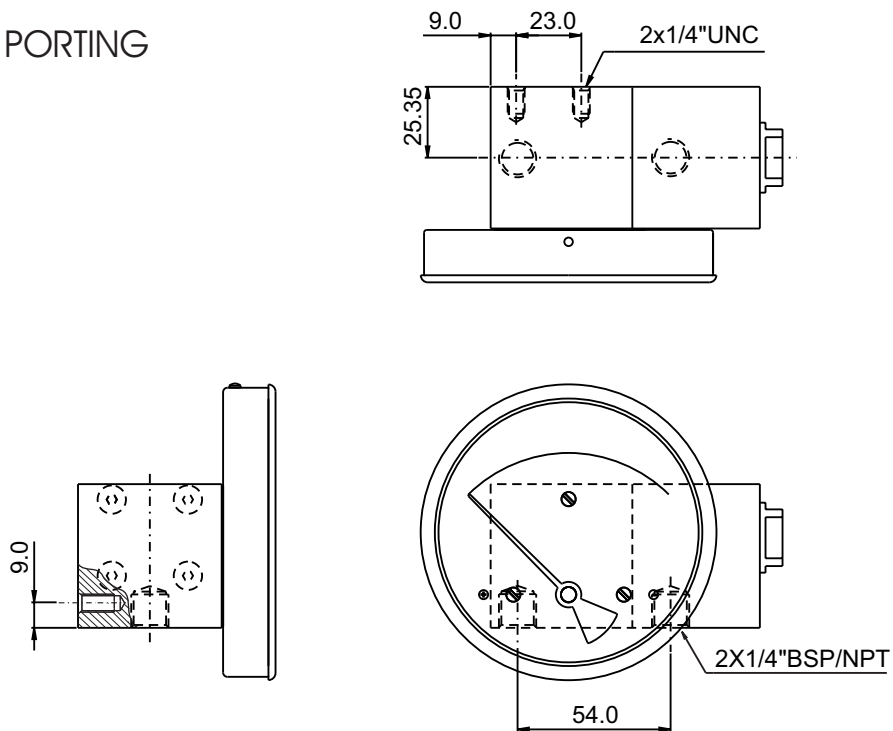
## PORTING DETAILS, DIAPHRAGM INSTRUMENTS (200 DGR)

---

### BACK PORTING



### BOTTOM PORTING



NOTE : 2x1/4" UNC MOUNTING HOLES PROVIDED ON REQUEST.