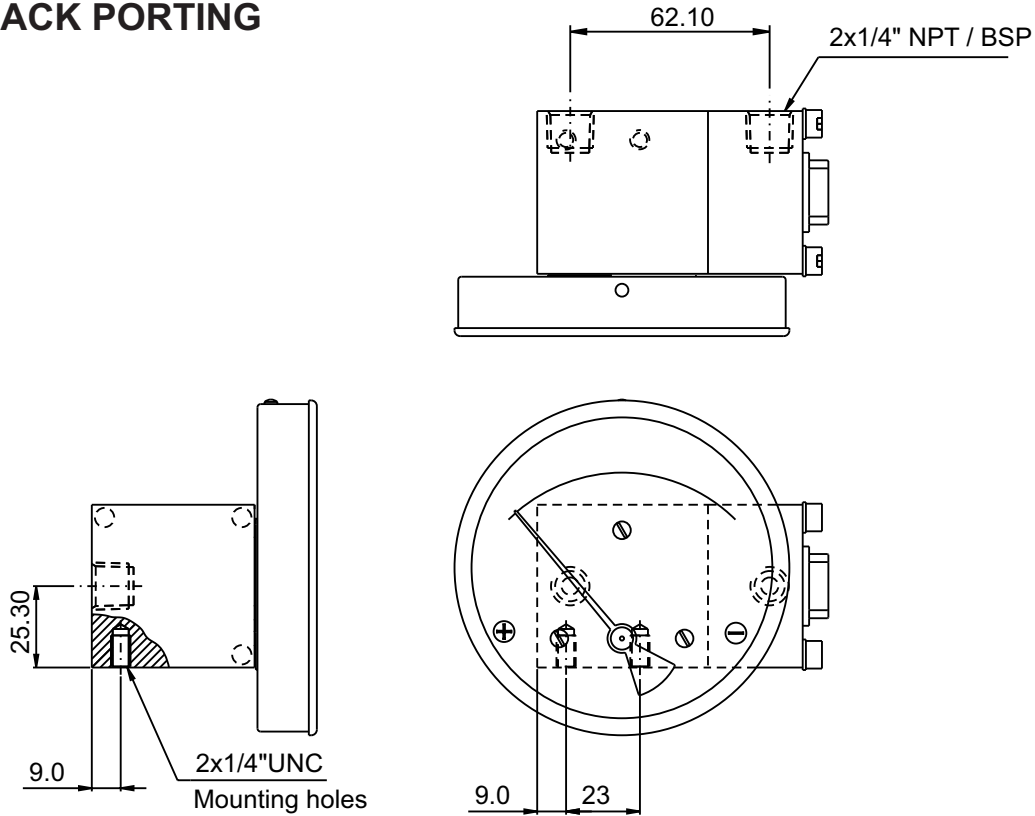
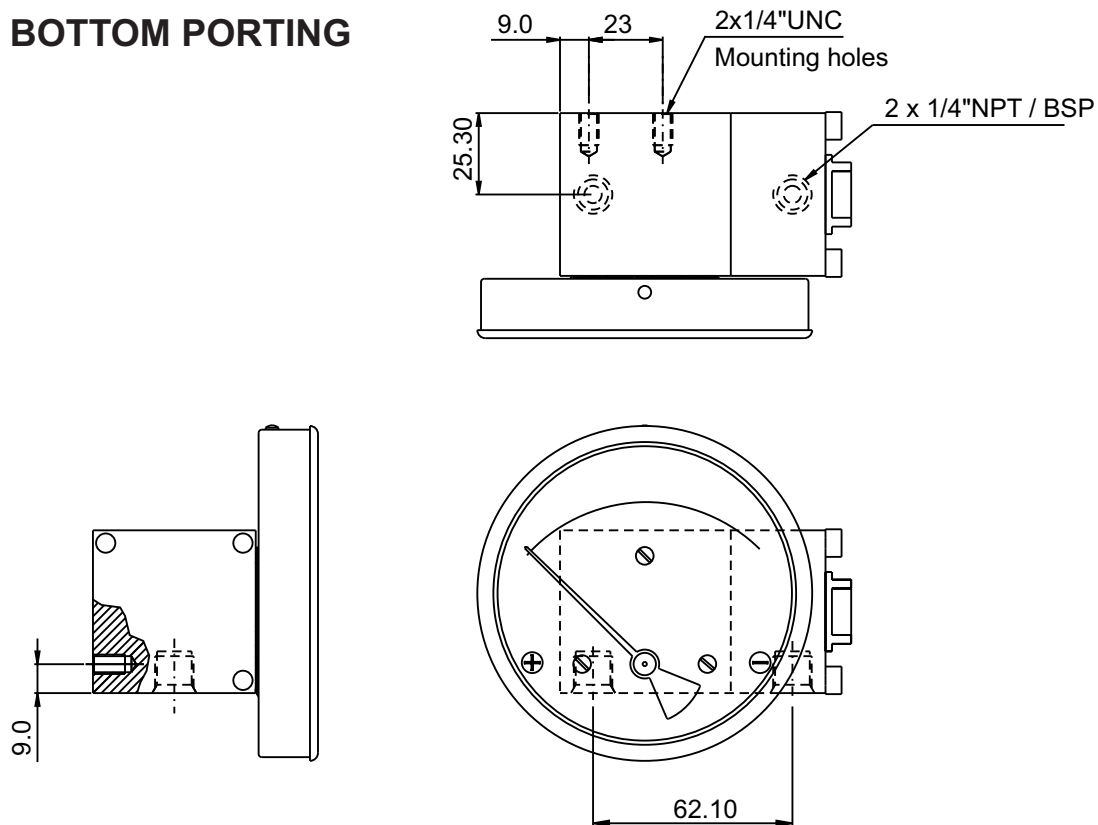


PORTING DETAILS, SMALL CONVOLUTED DIAPHRAGM INST. (300 DGC)

BACK PORTING



BOTTOM PORTING



NOTE : 2x1/4" UNC MOUNTING HOLES PROVIDED ON REQUEST.