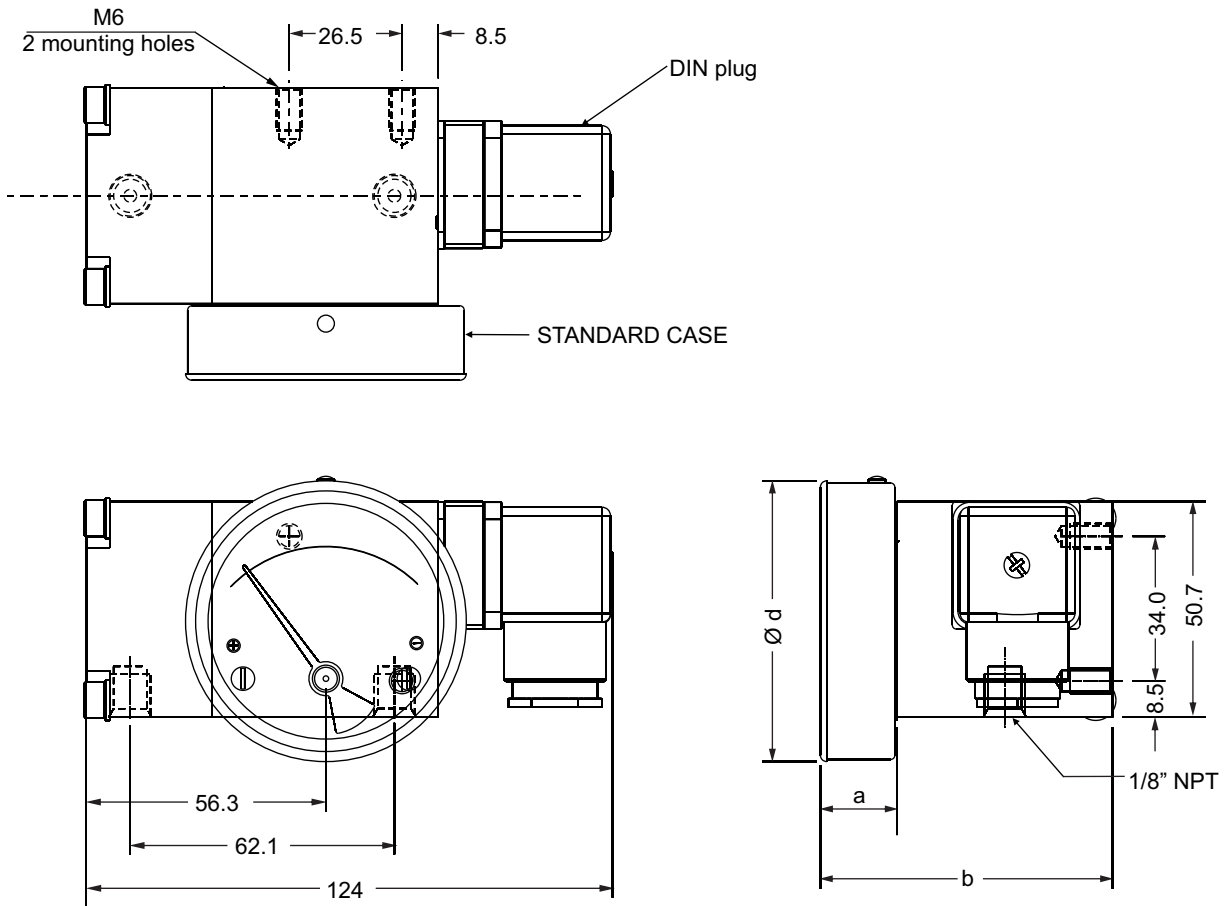


STANDARD DIMENSIONS (MODEL DGC 320)

BOTTOM PORTING :



DIAL Ø	F	a	b	d
50 (2")	1/8"NPT (F)	15	66	53
63 (2.5")	1/8"NPT (F)	15	66	66

* PANEL CUT OUT = d+ 1