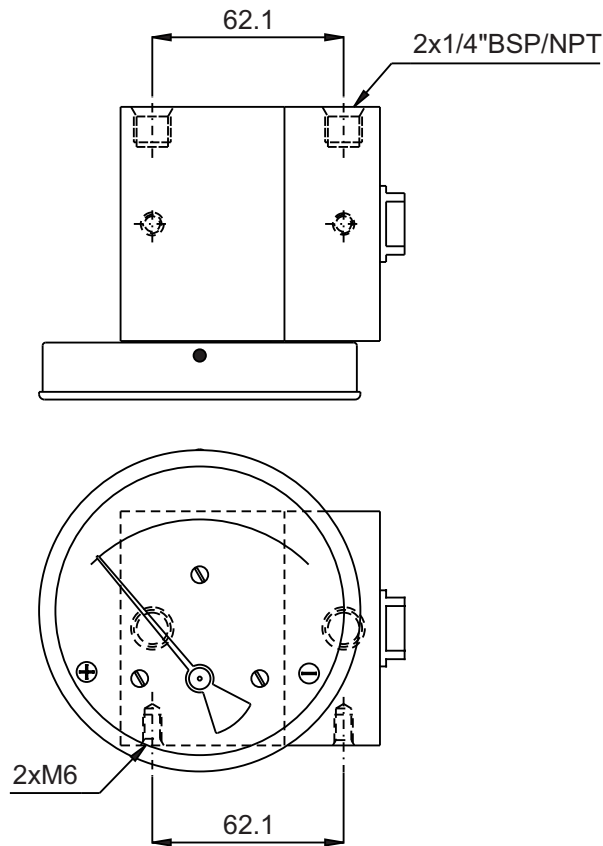


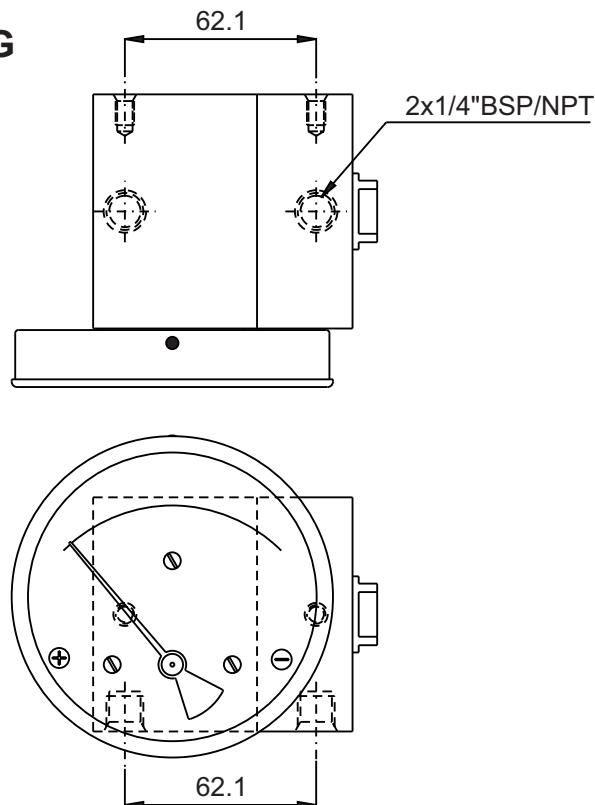
**PORTING DETAILS,  
DIAPHRAGM INSTRUMENT (400 DGC)**

---

**BACK PORTING**



**BOTTOM PORTING**



Note : 2 x M6 Mounting holes provided on adjacent face at the same porting distance.