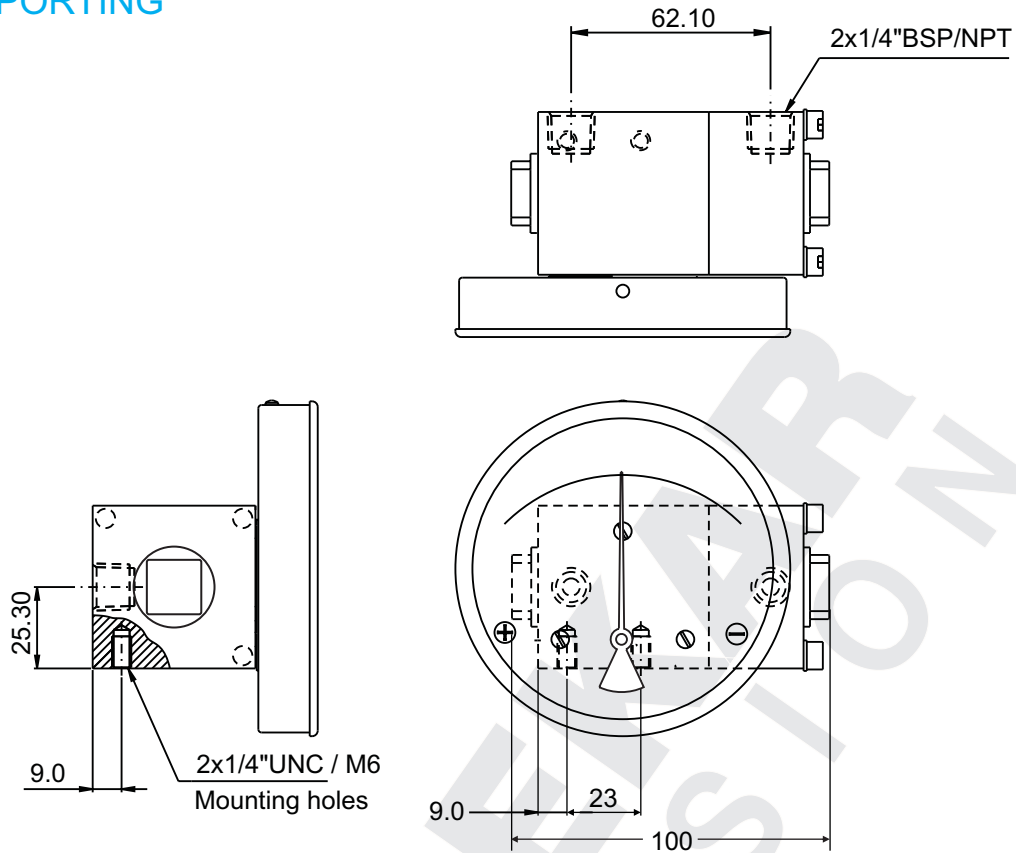


# PORTING DETAILS, FOR COMPOUND INSTRUMENTS MODEL CZ 300 DGC (WITHOUT SWITCH)

## BACK PORTING



## BOTTOM PORTING

