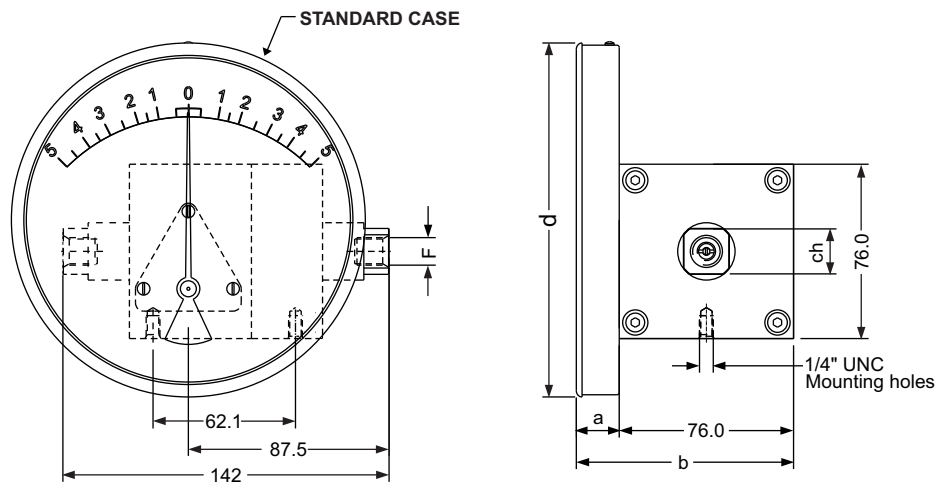
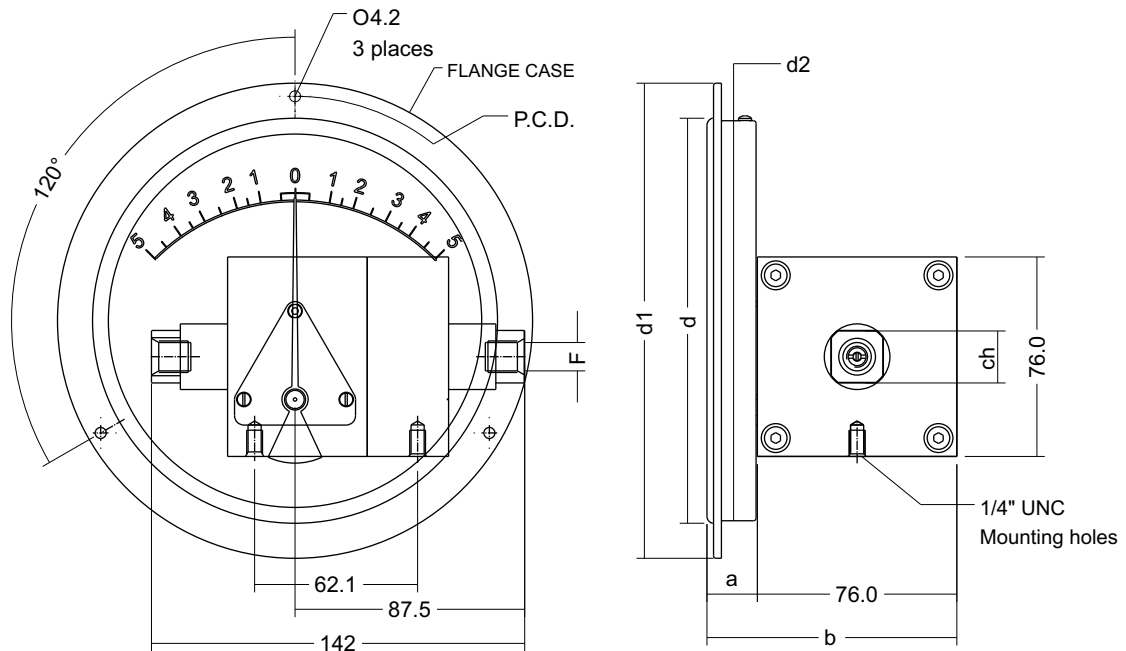


## STANDARD DIMENSIONS FOR CENTRE ZERO INSTRUMENTS (MODEL CZ 400 DGC)



| DIAL $\varnothing$ | F                   | a  | b  | d     | ch |
|--------------------|---------------------|----|----|-------|----|
| 80 (3.5")          | 1/4" BSP - 1/4" NPT | 19 | 95 | 83    | 20 |
| 100 (4")           | 1/4" BSP - 1/4" NPT | 19 | 95 | 104.3 | 20 |
| 115 (4.5")         | 1/4" BSP - 1/4" NPT | 19 | 95 | 119.7 | 20 |
| 150 (6")           | 1/4" BSP - 1/4" NPT | 19 | 95 | 154.3 | 20 |



| DIAL $\varnothing$ | F                   | a  | b  | d1  | d2    | ch | p.c.d. | * d   |
|--------------------|---------------------|----|----|-----|-------|----|--------|-------|
| 80 (3.5")          | 1/4" BSP - 1/4" NPT | 19 | 95 | 109 | 82    | 20 | 99     | 83    |
| 100 (4")           | 1/4" BSP - 1/4" NPT | 19 | 95 | 131 | 102   | 20 | 121    | 104.3 |
| 115 (4.5")         | 1/4" BSP - 1/4" NPT | 19 | 95 | 146 | 117   | 20 | 136    | 119.7 |
| 150 (6")           | 1/4" BSP - 1/4" NPT | 19 | 95 | 181 | 152.5 | 20 | 171    | 154.3 |

\* PANEL CUTOUT = d + 1