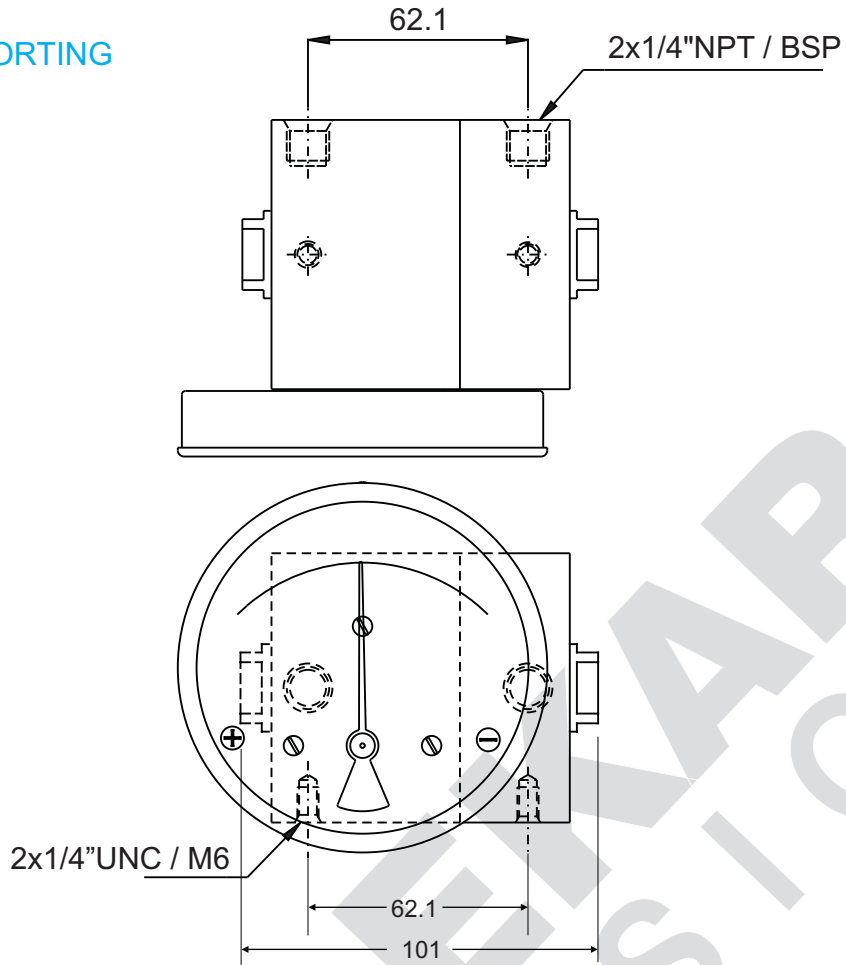


PORTING DETAILS, MEDIUM CONVOLUTED DIAPHRAGM INST. (CZ 400 DGC)

BACK PORTING



BOTTOM PORTING

