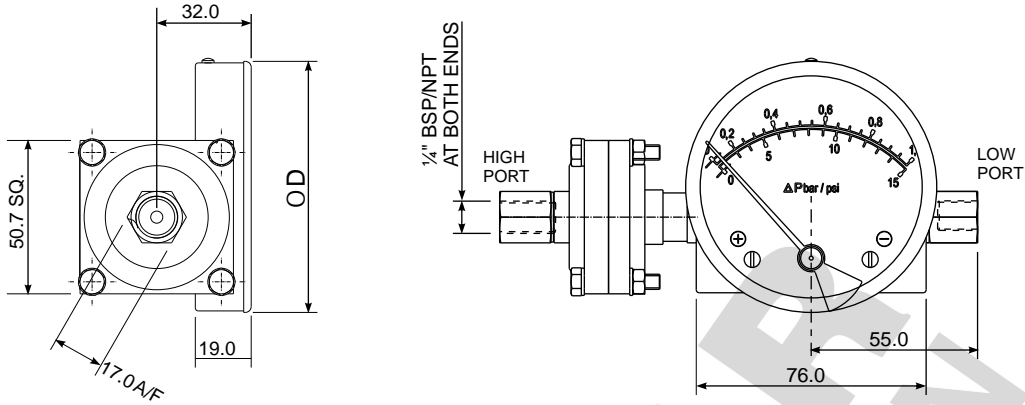
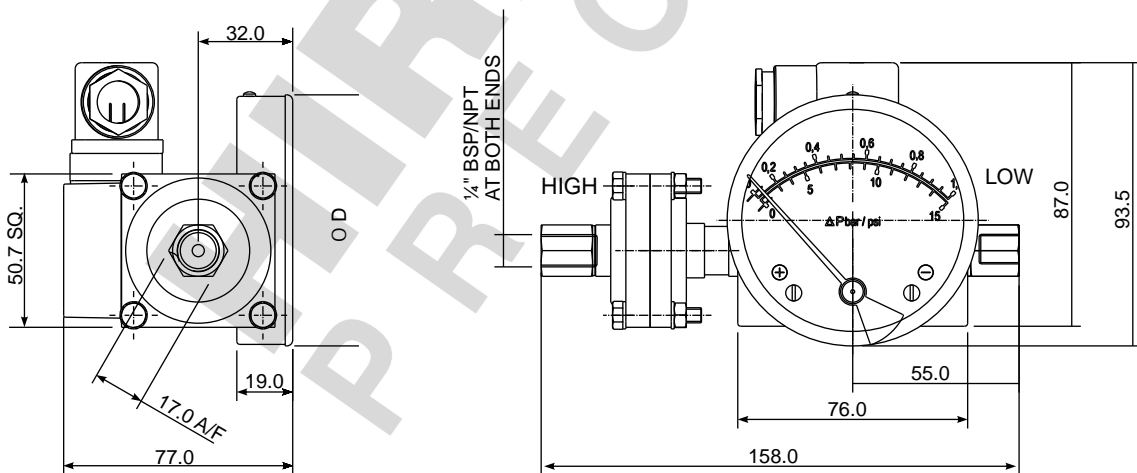


STANDARD DIMENSIONS (MODEL DX-20)



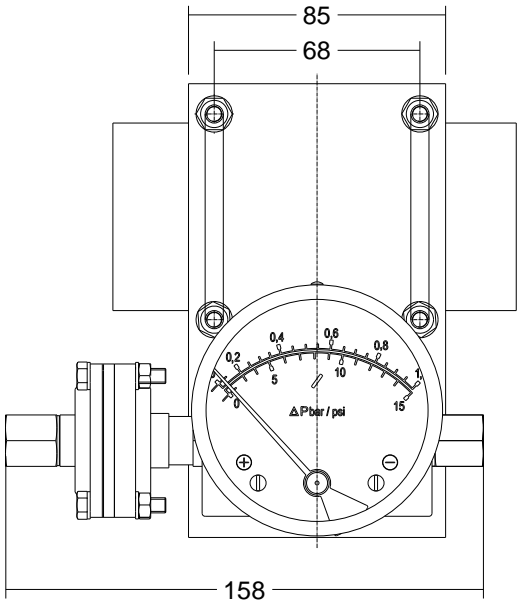
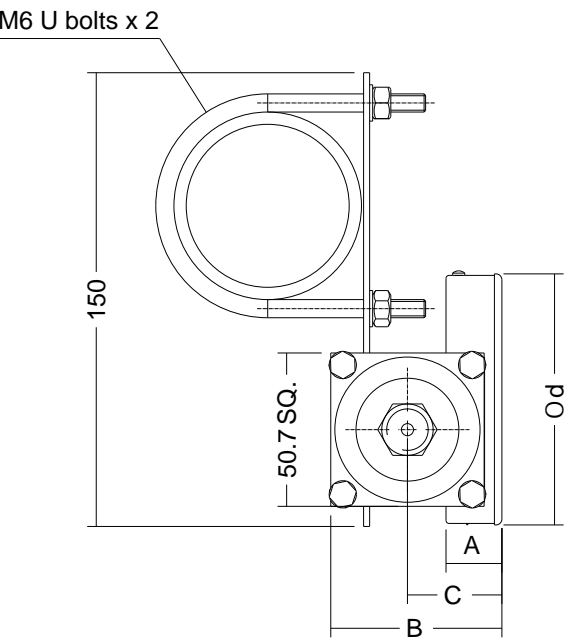
DIAL Ø	D
80 mm	83
100 mm	104.3

GAUGE + SWITCH WITH REED CONTACTS WITH DIN PLUG ON TOP (MODEL DX 20)



DIAL Ø	D
80 mm	83
100 mm	104.3

MOUNTING BRACKETS (MODEL DX-20)



DIAL Ø	F	A	B	C	d	D
80 (3.5")	1/4"BSP - 1/4"NPT	19	44	12.5	82	13
100 (4")	1/4"BSP - 1/4"NPT	19	44	12.5	102	104.3

* PANEL CUT OUT = d + 1