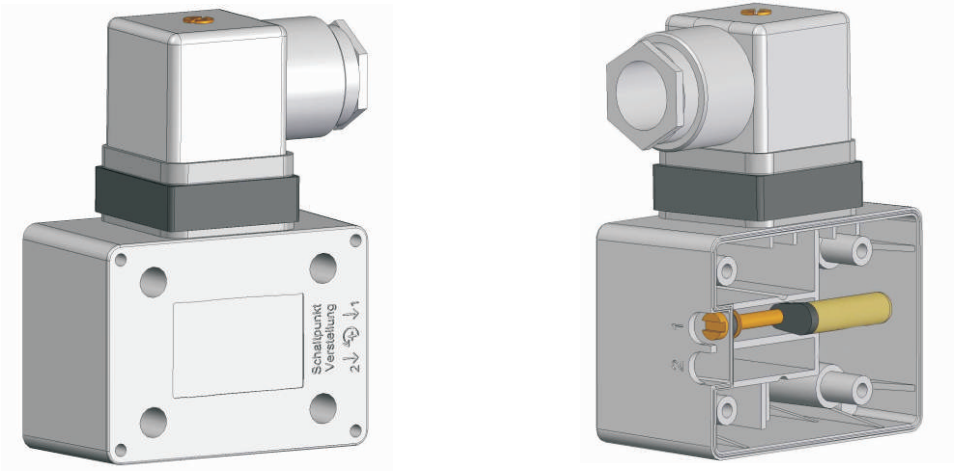
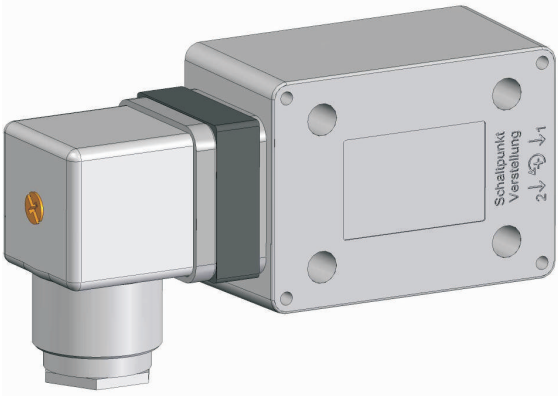


SWITCH COVER COMBINATIONS, DIAPHRAGM INSTRUMENTS (DX 20)

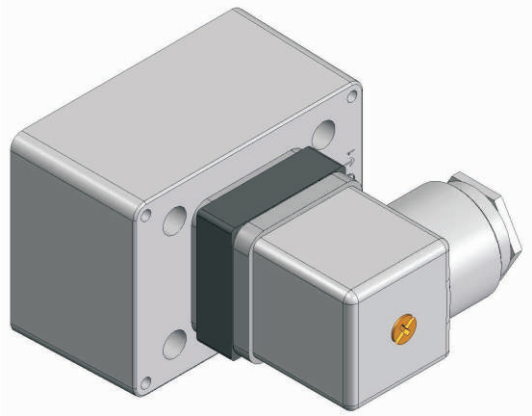
DIN plug at top



DIN plug on LP side



DIN plug at back



2 DIN plugs for 2 SPDT,s (1 on LP side and other on top)

