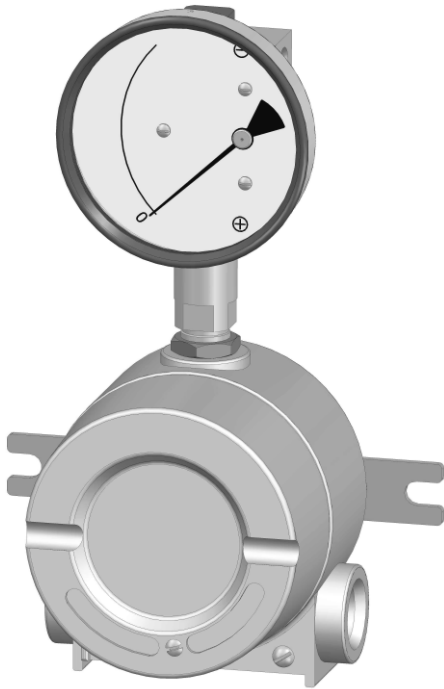


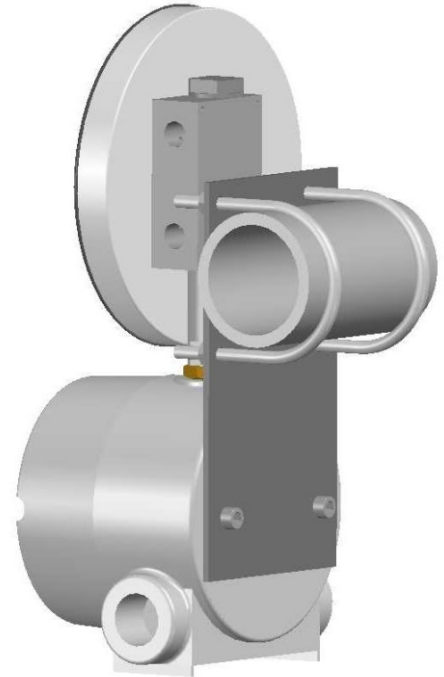
## EX 200DGR MOUNTING COMBINATIONS

---

### SURFACE MOUNTING



### HORIZONTAL PIPE MOUNTING



### VERTICAL PIPE MOUNTING

