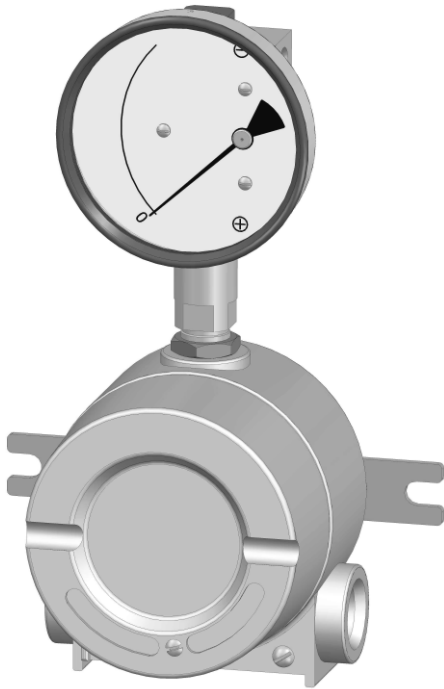
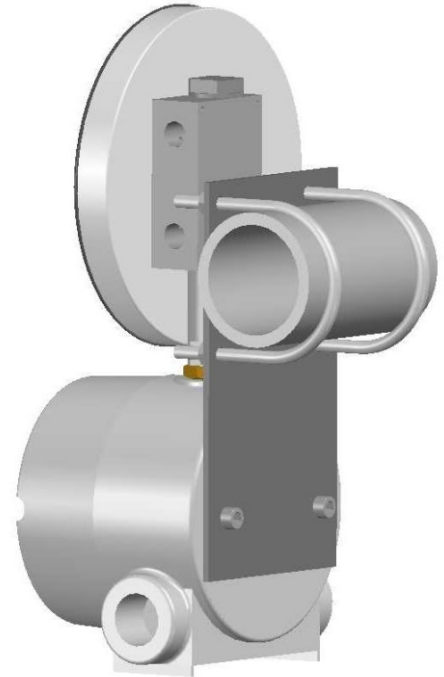


EX 300DGC MOUNTING COMBINATIONS

SURFACE MOUNTING



HORIZONTAL PIPE MOUNTING



VERTICAL PIPE MOUNTING

