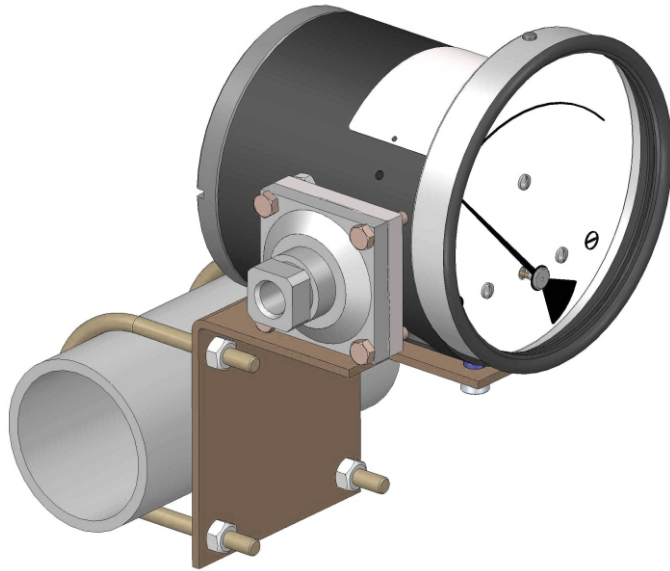


BRACKET MOUNTING COMBINATIONS (PR20)

Horizontal pipe mounting



Vertical pipe mounting

