

**Hazardous Area**

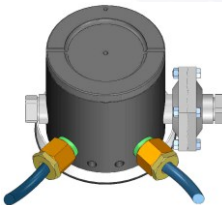
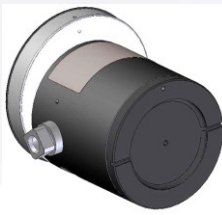
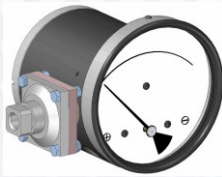


## PR 20

**ΔP Range:** 0 to 0.075 upto 4 bar  
0 to 1 upto 60 psi

### COMBINATIONS

**Gauge + switch**  
(with a terminal strip inside)



### Specifications

Accuracy	±2% of the FSD (Ascending)
Migration	<b>No migration : Zero leakage from high to low port</b>
Range	0-0.075 to 0-4 bar or equivalent range in other units
First marking on the scale	20% of the FSD
Sensing element	<b>Diaphragm</b>
Wetted parts	Body material, SS 302 spring, ceramic magnet & seals
Case material & dial size	Stainless steel (SS 304): 4.5", 6.0"
Mounting	Direct or 2" horizontal / vertical pipe mounting bracket
Maximum working pressure	100 bar / 1500 psi
Maximum process temperature	0 to 80°C (32 to 175°F)
Body material	SS316 attached to flameproof aluminium enclosure
Diaphragm	Buna-N, Viton, EPDM
Window	Float glass(Std.), toughened glass, & safety glass.
Connection	1/4" NPT(F) (Std.), 1/4" BSP(F) through adaptor
Porting	In-line only
Over range protection	Up to the max. working pressure from high & low side
Protection for gauge & switch	IP 66 / NEMA-4
Electrical connection	1/2"NPT(F) for 2 conduit ports at bottom, left and right 40° from center line. Cable glands and plugs are not supplied with the instrument.
Net weight	Approximately 2.500 kgs.

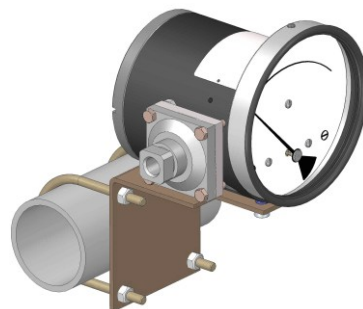
### Options

Customer logo	1 or 2 SPSTs with a terminal strip
Dual scale	1 or 2 SPDTs with a terminal strip
Color band	
Filter mesh in (+) connection	

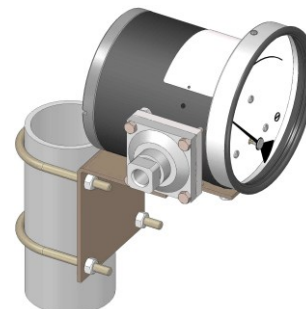
### Switches (Adjustable in 40-100% of FSD)

### COMMON MOUNTING BRACKET

**Horizontal pipe mounting**



**Vertical pipe mounting**



**Approval**

This gauge is  
**Ex d IIC T6 IP66**  
approved