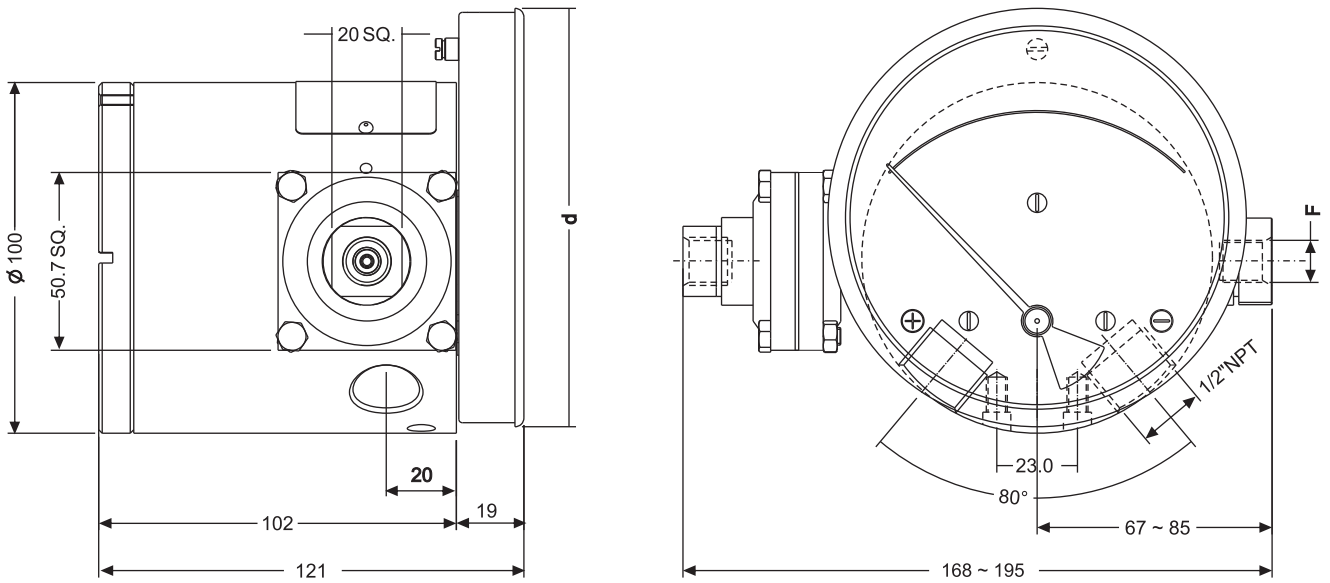


STANDARD DIMENSIONS (MODEL PR 20)



Dial \varnothing	d	F
115mm (4.5")	$\varnothing 119.7$	1/4" NPT / BSP
150mm(6.0")	$\varnothing 154.3$	1/4" NPT / BSP