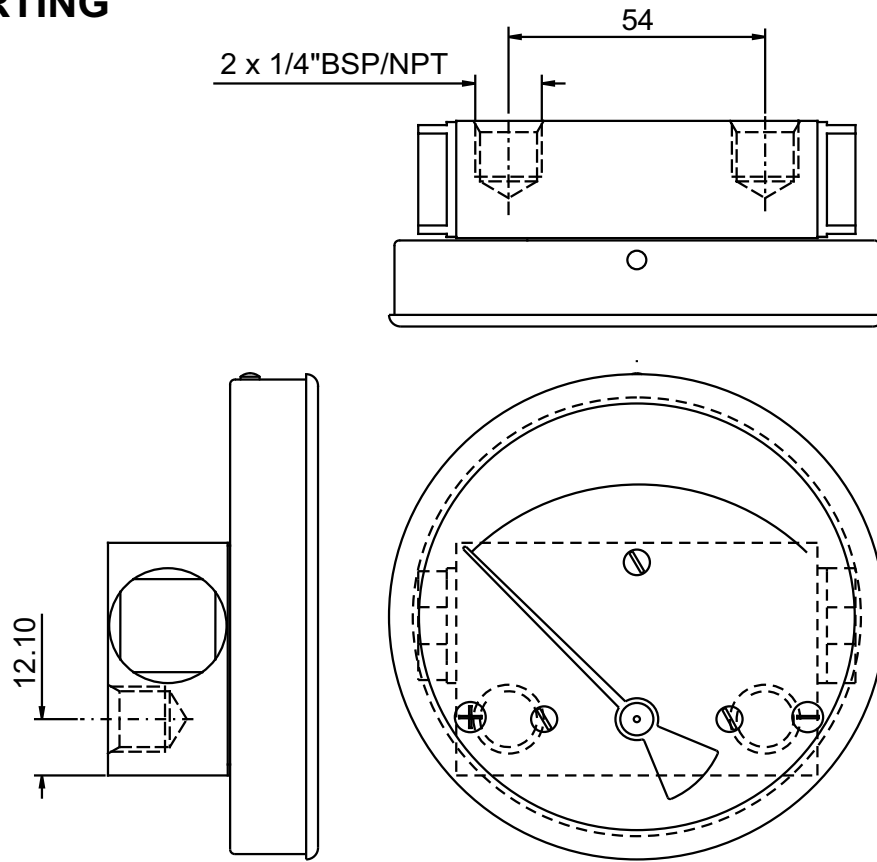


**BACK PORTING**



**BOTTOM PORTING**

