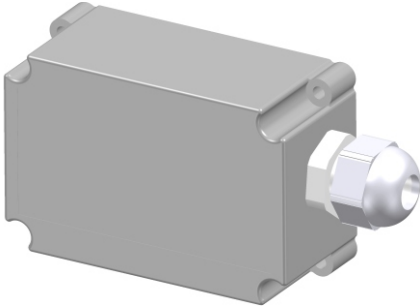
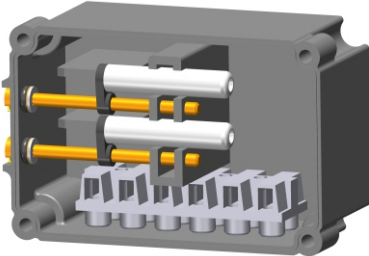


**SWITCH COVER COMBINATIONS,
PISTON INSTRUMENTS (DPG 200)**

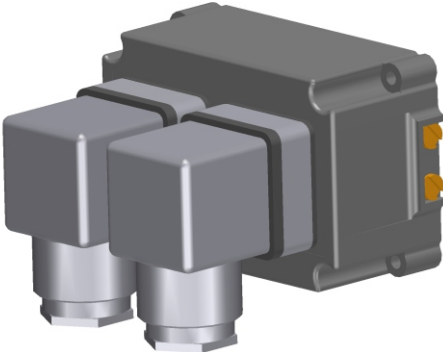
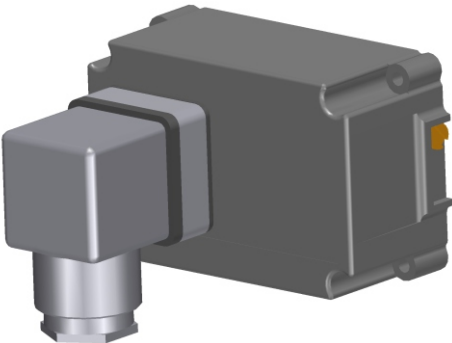
Terminal strip and
cable gland (IP65)



Switch cover inside view



DIN plug at back



DIN plug at top

