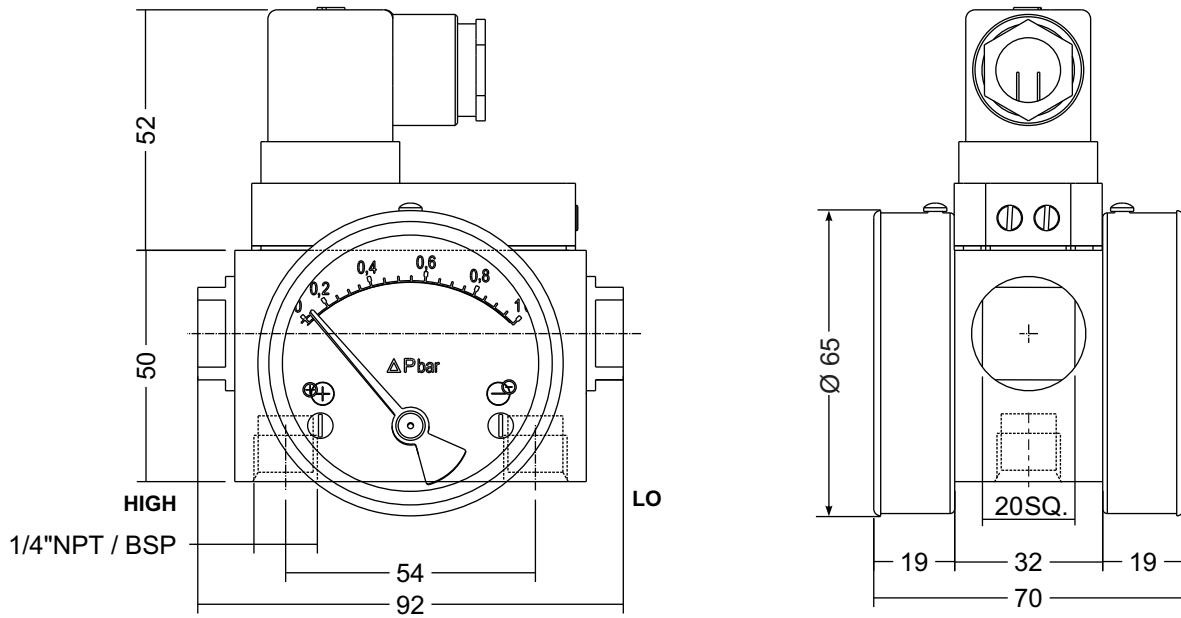


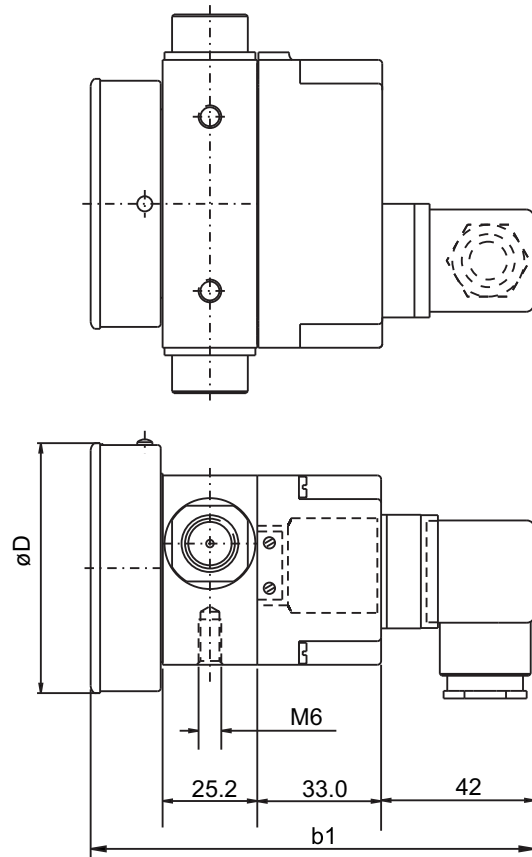
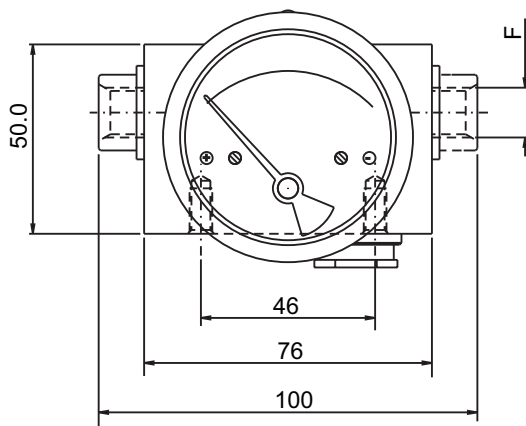
STANDARD DIMENSIONS (MODEL D200 DPG)

BOTTOM PORTING

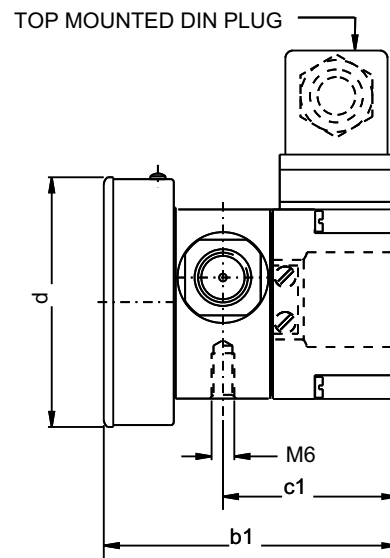
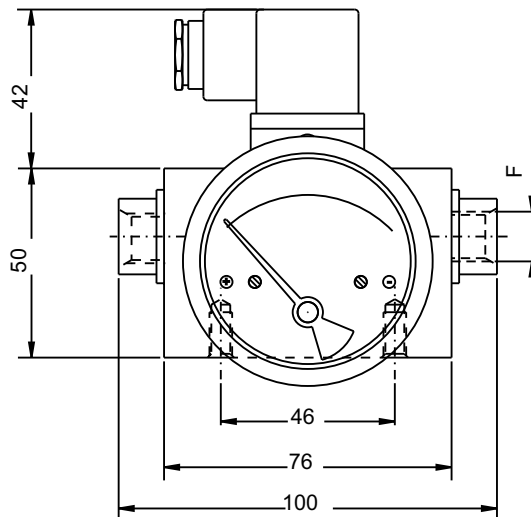


GAUGE + SWITCH WITH REED CONTACTS WITH DIN PLUG AT BACK (MODEL 200 DPG)

DIAL \varnothing	F	d	b1
50 (2")	1/4"BSP - 1/4"NPT	53	102.5
63 (2.5")	1/4"BSP - 1/4"NPT	66	103.5
80 (3.5")	1/4"BSP - 1/4"NPT	83	103.5
100 (4")	1/4"BSP - 1/4"NPT	104.3	103.5
115 (4.5")	1/4"BSP - 1/4"NPT	119.7	103.5
150 (6")	1/4"BSP - 1/4"NPT	154.3	103.5



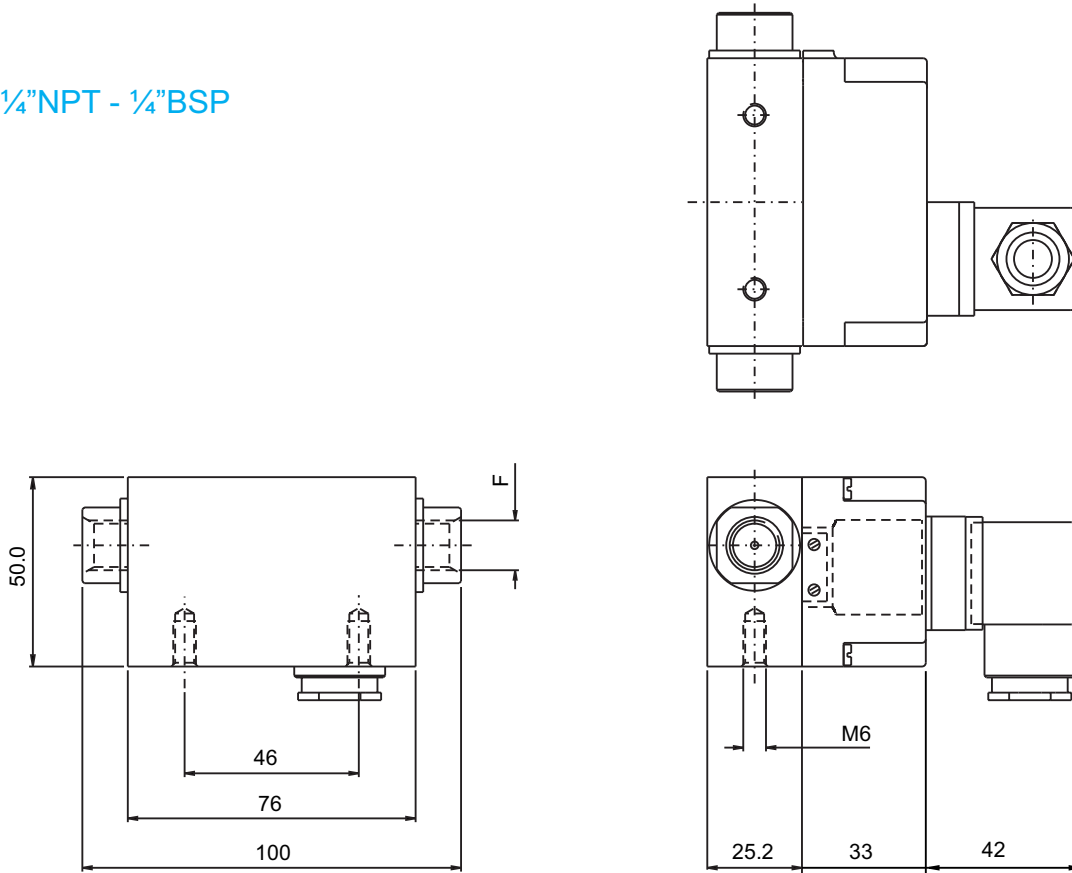
GAUGE + SWITCH WITH REED CONTACTS WITH DIN PLUG ON TOP (MODEL DPG 200)



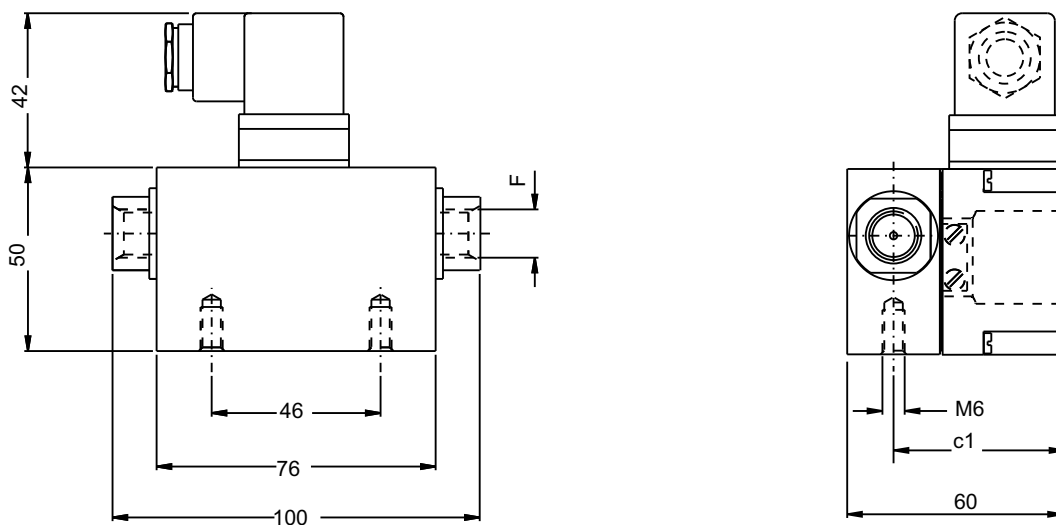
DIAL \varnothing	F	b1	c1	d
50 (2")	1/4"BSP - 1/4"NPT	78	47.5	53
63 (2.5")	1/4"BSP - 1/4"NPT	79	47.5	66
80 (3.5")	1/4"BSP - 1/4"NPT	79	47.5	83
100 (4")	1/4"BSP - 1/4"NPT	79	47.5	104.3
115 (4.5")	1/4"BSP - 1/4"NPT	79	47.5	119.7
150 (6")	1/4"BSP - 1/4"NPT	79	47.5	154.3

SWITCH WITH DIN PLUG AT BACK (MODEL DPG 200)

F=1/4"NPT - 1/4"BSP

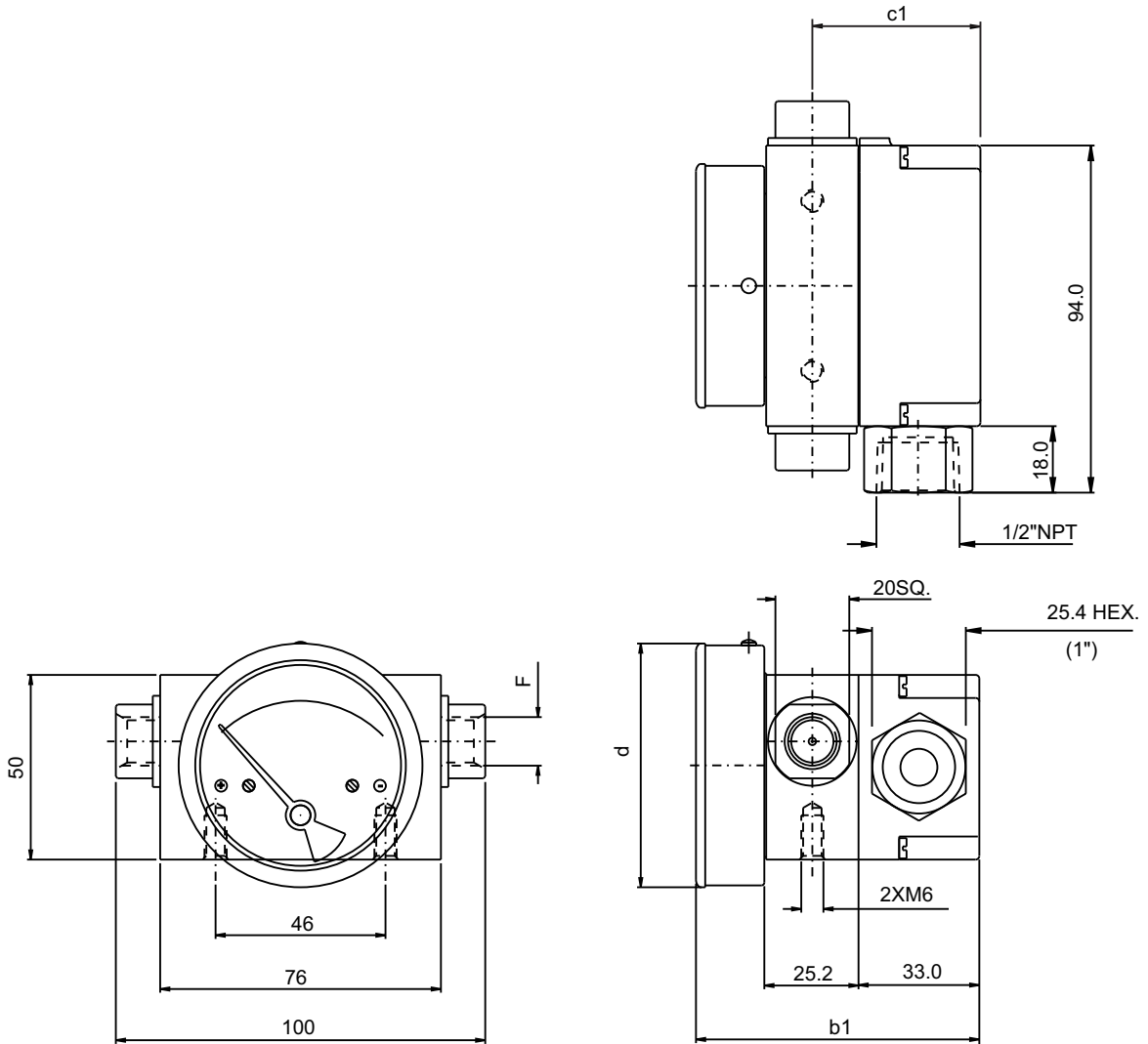


SWITCH WITH DIN PLUG ON TOP (MODEL DPG 200)



F=1/4"NPT - 1/4"BSP , C1=47.5

GAUGE + SWITCH WITH REED CONTACTS WITH TERMINAL STRIP & 1/2" NPT CONDUIT CONNECTION (MODEL DPG 200)



DIAL \varnothing	F	b1	c1	d
50 (2")	1/4"BSP - 1/4"NPT	78	47.5	53
63 (2.5")	1/4"BSP - 1/4"NPT	79	47.5	66
80 (3.5")	1/4"BSP - 1/4"NPT	79	47.5	83
100 (4")	1/4"BSP - 1/4"NPT	79	47.5	104.3
115 (4.5")	1/4"BSP - 1/4"NPT	79	47.5	119.7
150 (6")	1/4"BSP - 1/4"NPT	79	47.5	154.3