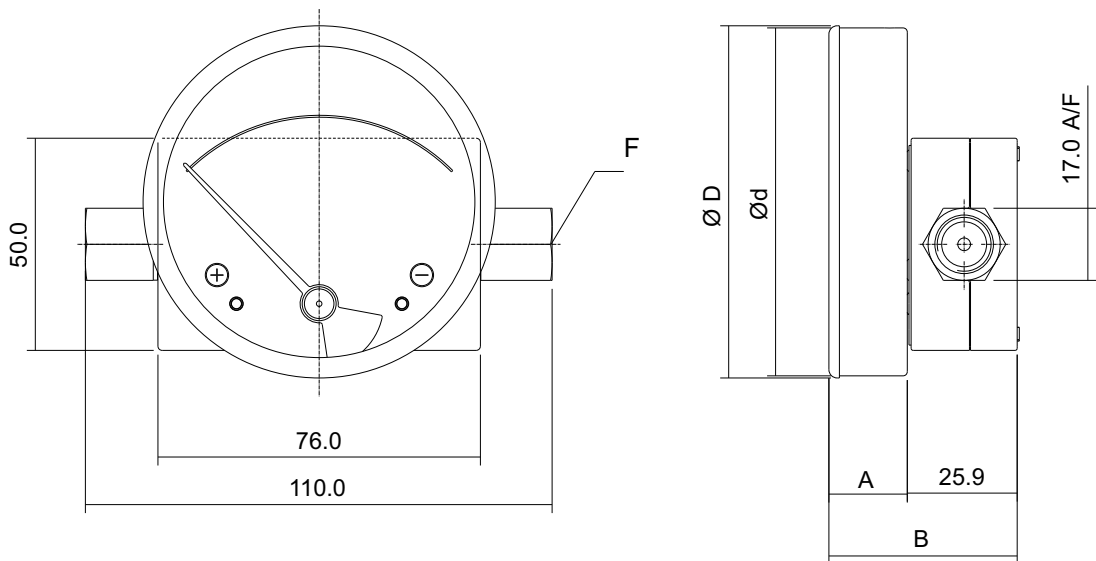


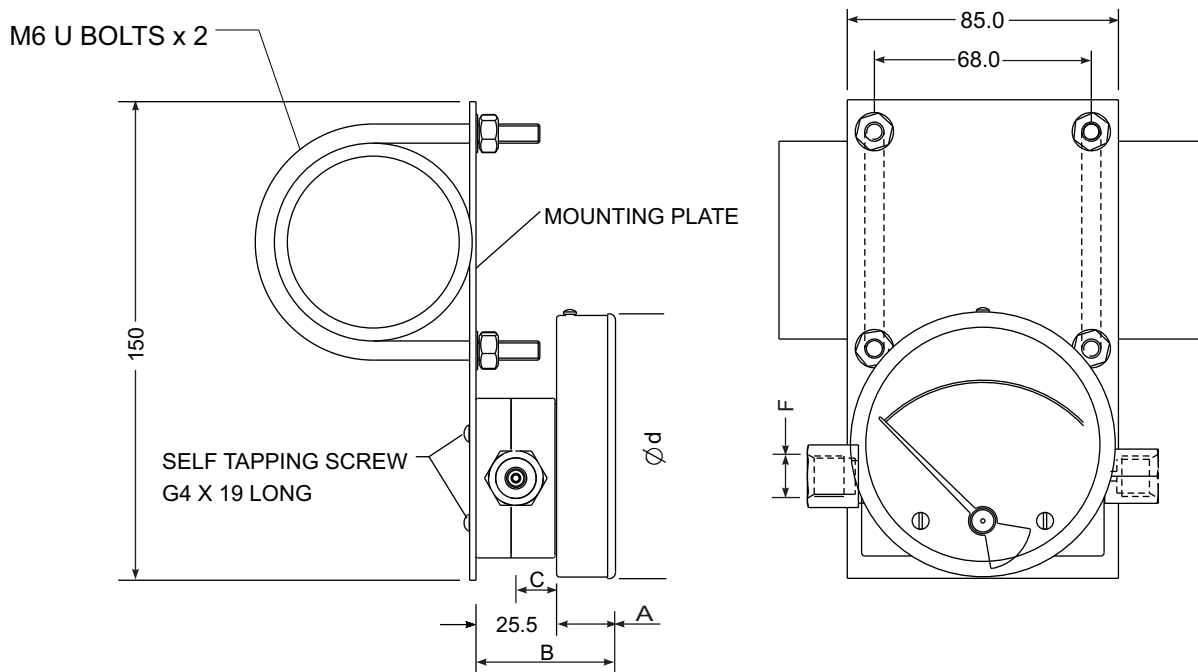
STANDARD DIMENSIONS (MODEL DX-10)



DIAL \varnothing	F	A	B	C	d	D
80 (3.5")	1/4"BSP - 1/4"NPT	19	44	12.5	82	13
100 (4")	1/4"BSP - 1/4"NPT	19	44	12.5	102	104.3

* PANEL CUT OUT = $d + 1$

MOUNTING BRACKETS (MODEL DX-10)

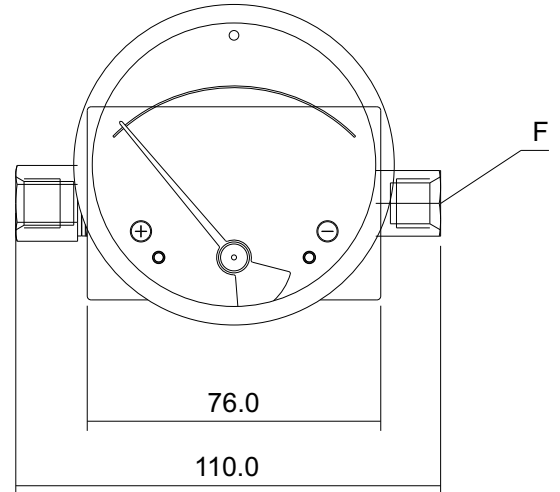
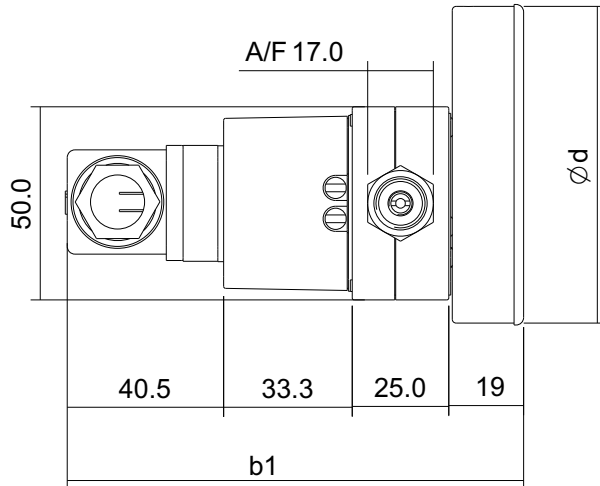


DIAL \varnothing	F	A	B	C	d	D
80 (3.5")	1/4"BSP - 1/4"NPT	19	44	12.5	82	13
100 (4")	1/4"BSP - 1/4"NPT	19	44	12.5	102	104.3

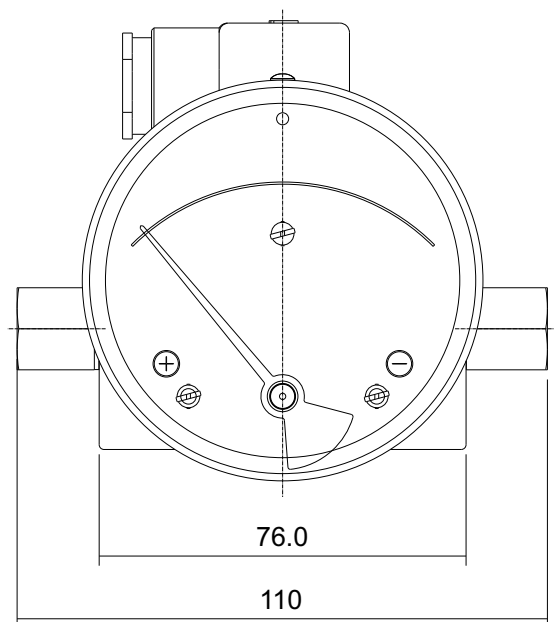
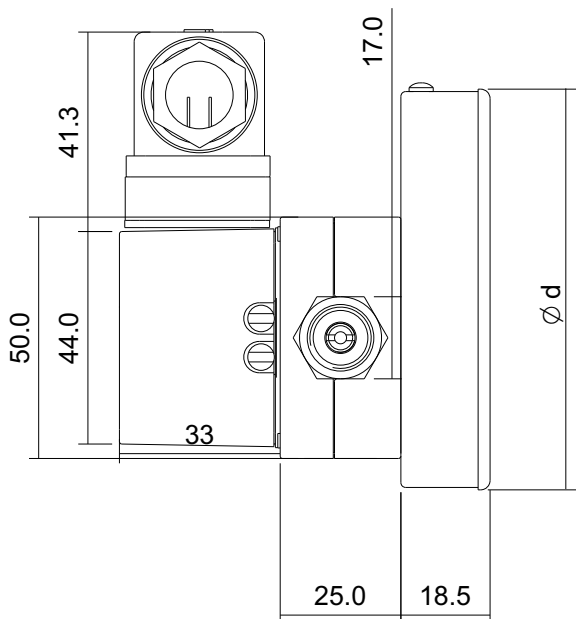
* PANEL CUT OUT = $d + 1$

GAUGE + SWITCH WITH REED CONTACTS WITH DIN PLUG AT BACK (MODEL DX 10)

DIAL \varnothing	F	d	b1
80 (3.5")	1/4"BSP - 1/4"NPT	83	103.5
100 (4")	1/4"BSP - 1/4"NPT	104.3	103.5



GAUGE + SWITCH WITH REED CONTACTS WITH DIN PLUG ON TOP (MODEL DX 10)



DIAL \varnothing	F	b1	c1	d
80 (3.5")	1/4"BSP - 1/4"NPT	79	47.5	83
100 (4")	1/4"BSP - 1/4"NPT	79	47.5	104.3