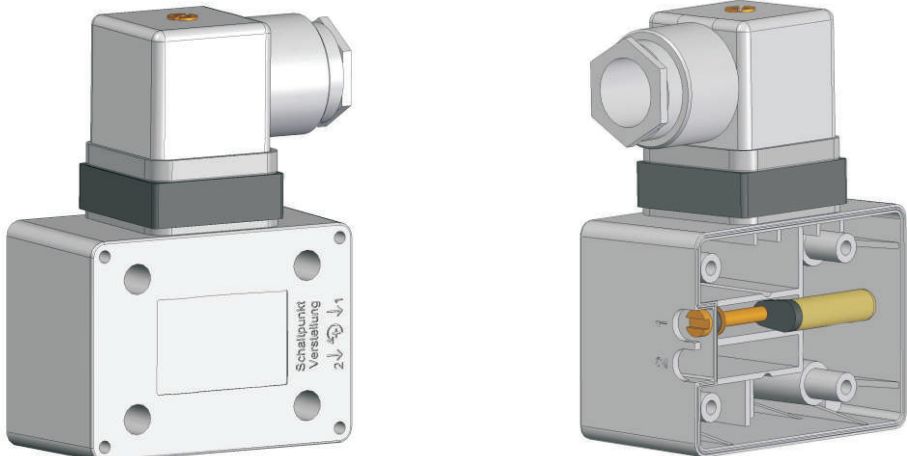
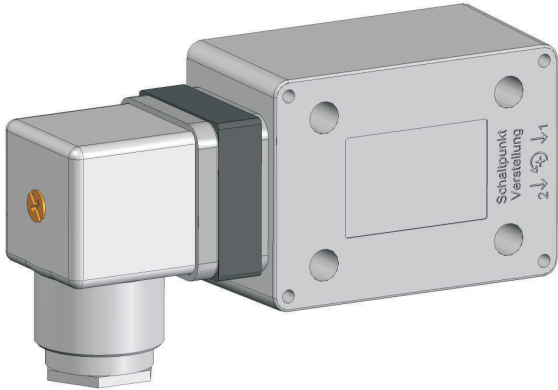


SWITCH COVER COMBINATIONS, PISTON INSTRUMENTS (DX 10)

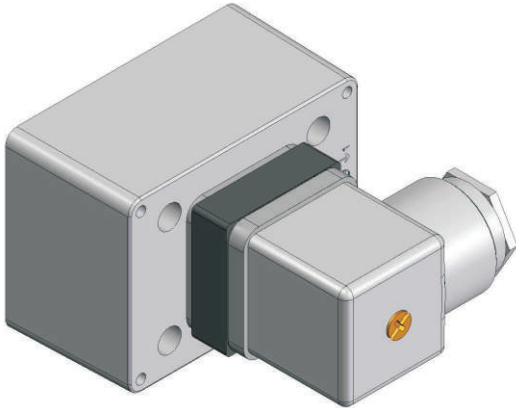
DIN plug at top



DIN plug on LP side



DIN plug at back



2 DIN plugs for 2 SPDT,s (1 on LP side and other on top)

