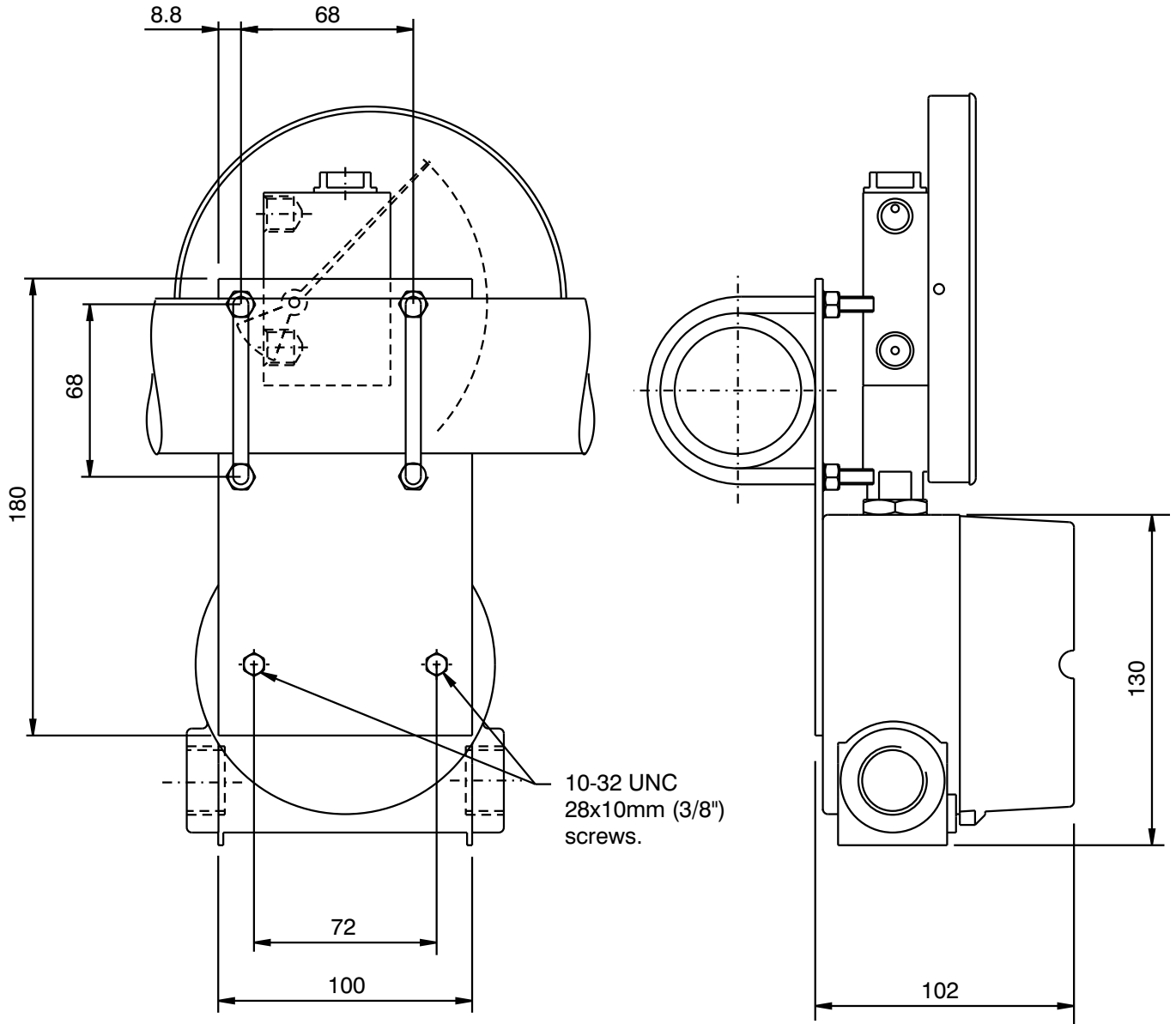


BRACKET MOUNTING COMBINATION, (EX - 200 DPG)



NOTES: 1. Use 10 - 32 UNC - 28 x 10 mm (3/8") screws are provided along with the instrument for this instrument

2. Same bracket can be used for vertical pipe mounting by changing locations of 'U' bolts