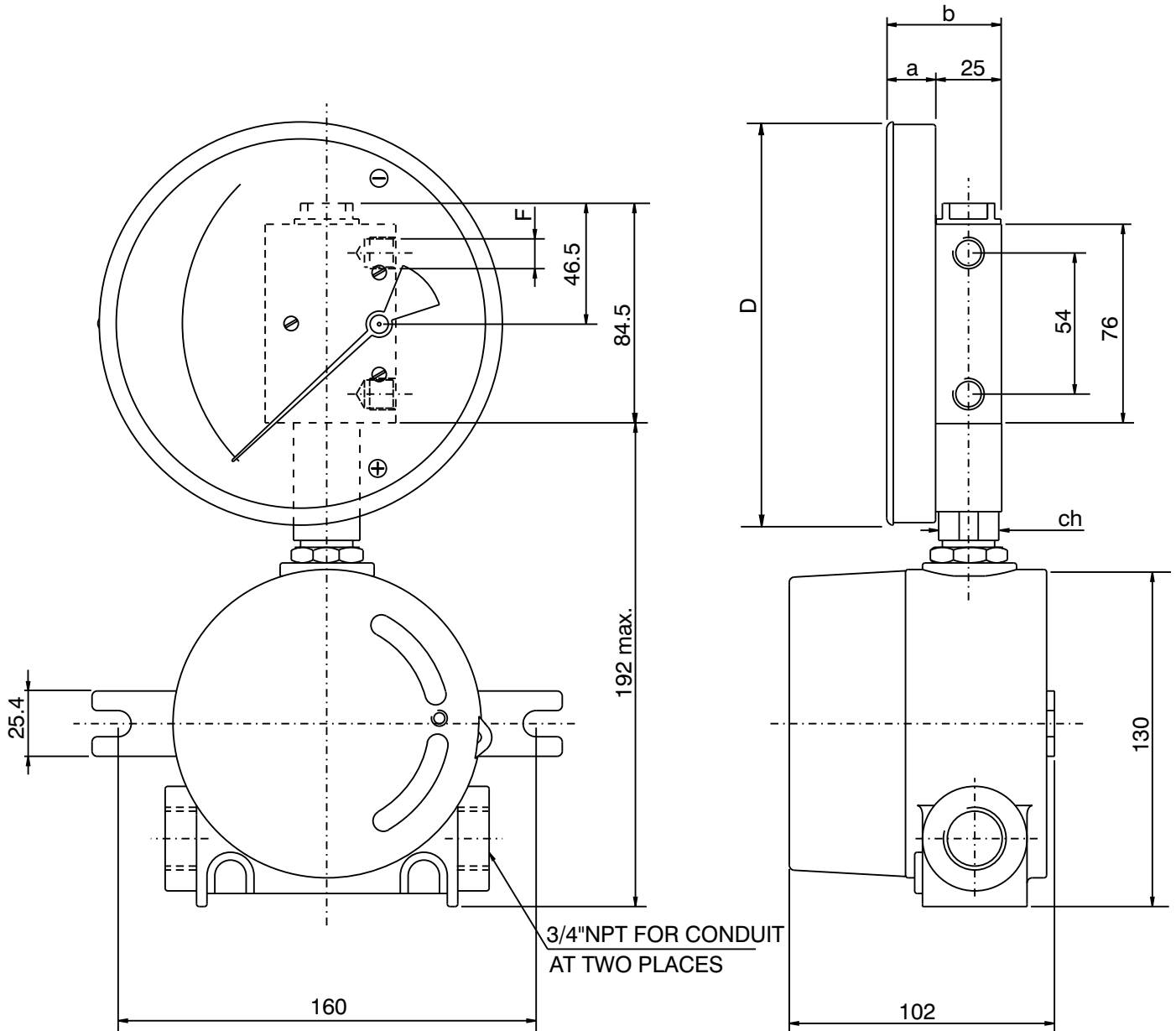


STANDARD DIMENSIONS FOR EXPLOSION PROOF INSTRUMENT (MODEL EX 200 DPG)



DIAL Ø	F	a	b	d	ch
80 (3.5")	1/4" BSP - 1/4" NPT	19	44	83.0	22
100 (4.0")	1/4" BSP - 1/4" NPT	19	44	104.3	22
115 (4.5")	1/4" BSP - 1/4" NPT	19	44	119.7	22
150 (6.0")	1/4" BSP - 1/4" NPT	19	44	154.3	22