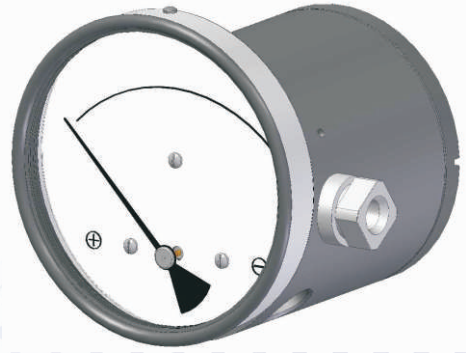
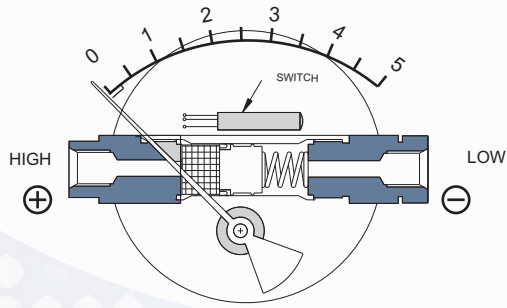
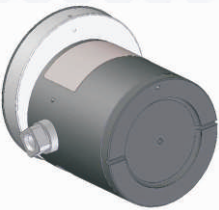


# PISTON INSTRUMENT FOR HAZARDOUS AREA / HEAVY DUTY

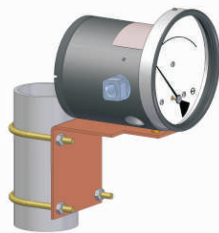
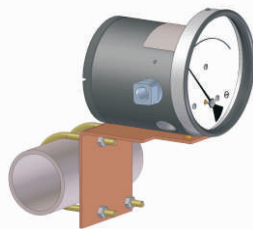


## COMBINATIONS

**Gauge + switch**  
(with a terminal strip inside)



## COMMON MOUNTING BRACKET



## PR 10

**DP Range : 0 to 0.25 upto 10 bar**  
0 to 5 upto 150 psi

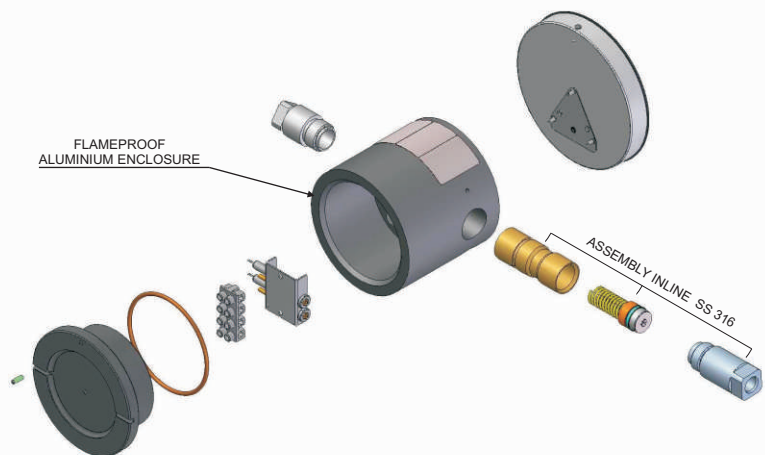
### Specifications

Accuracy	±2% of the FSD (Ascending)
Migration	Minor from high to low port
Range	0-0.25 to 0-10 bar or equivalent range in other units
First marking on the scale	20% of the FSD
Sensing element	Piston
Wetted parts	Body material, SS 302 spring, ceramic magnet & seals
Case material	Stainless steel (SS 304)
Dial size in inch /mm	4.5", 6" / 115, 150 mm
Mounting	Direct or 2" horizontal / vertical pipe mounting bracket
Maximum working pressure	400 bar / 6000 psi
Maximum process temperature	80°C / 175°F
Body material	SS316 attached to flameproof aluminium enclosure
Seals	Buna-N, Viton & EPDM 'O' rings
Window	Float glass(Std.), toughened glass, & safety glass.
Connection	1/4" NPT(F) Std. Optional 1/4" BSP(F)
Porting	In-line only
Over range protection	Up to the max. working pressure from high & low side
Protection for gauge & switch	IP 66/ NEMA-4X
Electrical connection	1/2" NPT(F) for 2 conduit ports at bottom, left and right 40° from center line

### Options

Customer logo	1 or 2 SPSTs with terminal strip
Dual scale	1 or 2 SPDTs with terminal strip
Colour band	
Filter mesh in (+) connection	

### Switches (Adjustable in 30-100% of FSD)



**"Ex d IIC T6 IP66" approved**